

SPECIAL GRIPPERS / Floating Suction Cup

NF20

Features and Strengths

Integrated with multi-stage vacuum generator
Large vacuum flow and powerful suction force in non-contact handling

Examples of use

Circuit boards, Solar cells, PCB boards, Wafer, Food, Paper
Film, CDs and DVDs



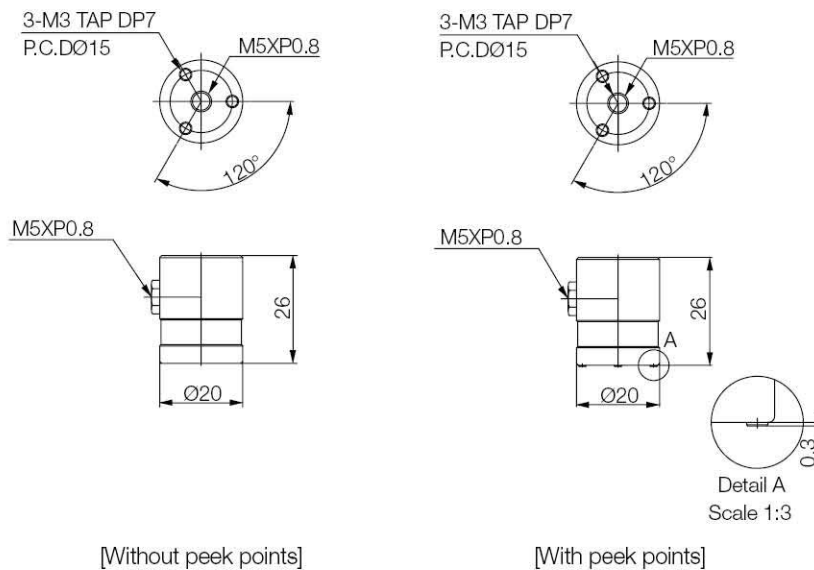
Recommended Lifting Force (Max.)

Model	Operating Pressure (bar)	Air Consumption (NI/min)			Lifting Force (Kg) – Perpendicular		
		4bar	5bar	6bar	4bar	5bar	6bar
NF20-06	4~6	58	67	78	0.16	0.19	0.21
NF20-12	4~6	116	135	154	0.19	0.25	0.35

※ The lifting force above does not include safety factor

Dimension

[Unit : mm]



I Build an Ordering No.

NF20 - ○○ - ○○ - ○○ - M5F
○○○ - M5F
1. Suction Cup

: Pre-mounted fitting

1. Suction cup	Description	Weight (g)	Symbol
	Floating suction cup, 20mm diameter, Aluminum, Fitting, M5xP0.8 female fitting	19.1	NF20-06-A-M5F
	Floating suction cup, 20mm diameter, Peek, M5xP0.8 female fitting	11.32	NF20-06-P-M5F
	Floating suction cup, 20mm diameter, Large flow, Aluminum, M5xP0.8 female fitting	19.03	NF20-12-A-M5F
	Floating suction cup, 20mm diameter, Large flow, Peek, M5xP0.8 female fitting	11.4	NF20-12-P-M5F
	Floating suction cup, 20mm diameter, 4-Peek points, Aluminum, M5xP0.8 female fitting	19.5	NF20-06-4P-M5F
	Floating suction cup, 20mm diameter, 4-Peek points, Peek, M5xP0.8 female fitting	11.5	NF20-06-P-4P-M5F
	Floating suction cup, 20mm diameter, Large flow, 4-Peek points, Aluminum, M5xP0.8 female fitting	19.6	NF20-12-4P-M5F
	Floating suction cup, 20mm diameter, Large flow, 4-Peek points, Peek, M5xP0.8 female fitting	11.54	NF20-12-P-4P-M5F