

# BALL JOINTS

## BJ18

### Features and Strengths

Reliable and precise pick up position for a degree of angular compliance



### Recommended Lifting Force (Max.)

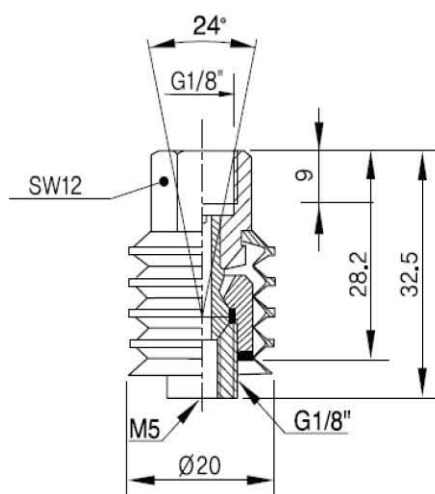
Model	Thread size	Angle (°)	Material	Temperature range (°C)	Weight (g)
BJ18	G 1/8"	±12°	AL, SS, BS	-80° ~200°	19

### Build an Ordering No.

1. Ball joint	Description	Symbol
	Ball joint, Connection – G1/8 male - M5 female, Top thread – G1/8" female	BJ18

### Dimension

[ Unit : mm ]



## BJ12

### Features and Strengths

Reliable and precise pick up position for a degree of angular compliance



### Recommended Lifting Force (Max.)

Model	Thread size	Angle (°)	Material	Temperature range (°C)	Weight (g)
BJ12	G 1/2"	±12°	AL, SS, BS	-80° ~200°	112

### Build an Ordering No.

1. Ball joint	Description	Symbol
	Ball joint, Connection – G1/2 male, Top thread – G1/2" female	BJ12

### Dimension

[ Unit : mm ]

