

# VMECA VACUUM CARTRIDGE

## VC303

### Features and Strengths

- Three stage – VMECA midi cartridge
- High vacuum level (-92 kPa) at low air pressure
- Efficient air consumption with high vacuum level and vacuum flow
- International patent
- Reliable performance despite inconsistent compressed air pressure



### Specifications

Description	VC303
Max. Vacuum level	-92 kPa
Open Vacuum flow	341 NI/min
Max. Feed pressure	7 bar
Temperature	-20 ~ 80 °C
Material	PPS, POM, NBR, AL(Holding plug)
Weight	24.63 g

### Vacuum Flow

Model	Max. vacuum (-kPa)	Feed Pressure (bar)	Vacuum flow (NI/min) at different vacuum levels (-kPa)									
			0	10	20	30	40	50	60	70	80	90
VC303	55	1.7	243	104	71	41.5	22.5	7.35	-	-	-	-
	75	2.2	302	122.5	88	53	31.4	28.5	16.5	4.6	-	-
	92	3	338	152	106	64	33	32	22	16.5	6.4	1.9
	92	4	341	154	127.5	94	69	43	23.3	17.3	6.9	2.1

### Evacuation Time

Model	Feed Pressure (bar)	Air Consumption (NI/min)	Evacuation time in sec / liter to reach different vacuum levels (-kPa)									
			10	20	30	40	50	60	70	80	90	
VC303	1.7	82	0.021	0.15	0.25	0.47	0.8	-	-	-	-	
	2.2	97	0.019	0.09	0.1	0.32	0.42	0.73	1.62	-	-	
	3	118	0.015	0.07	0.18	0.28	0.38	0.64	0.8	1.2	3.8	
	4	152	0.01	0.048	0.07	0.09	0.2	0.42	0.6	1	3.4	

## Build an Ordering No.

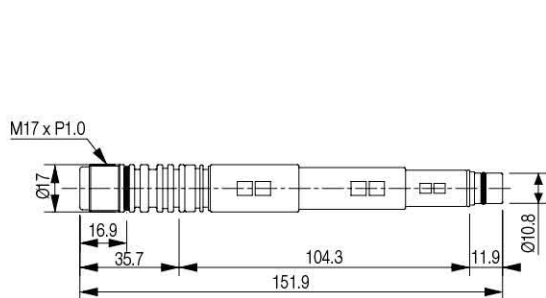
1. Cartridge	Description	Ordering No.
	Midi vacuum cartridge, 3-stage	VC303
	Midi vacuum cartridge, 3-stage, Non-return valve	VC303-N
	Midi vacuum cartridge, 3-stage, Holding plug	VC303P
	Midi vacuum cartridge, 3-stage, Holding plug, Non-return valve	VC303P-N
	Midi vacuum cartridge, 3-stage, M25 Two-fold silencer	VC303S
	Midi vacuum cartridge, 3-stage, M25 Two-fold silencer, Non-return valve	VC303S-N

## Spare Parts – Plug

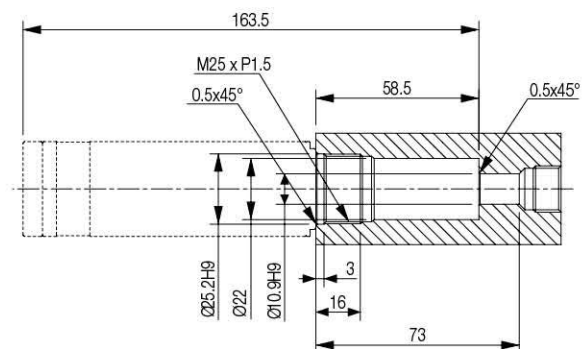
Model	Description	Weight (g)
VCP-M25-303	Holding plug	59.32
VTTS-M25	M25 Two-fold silencer	78.34

## Dimension - Basic Pump

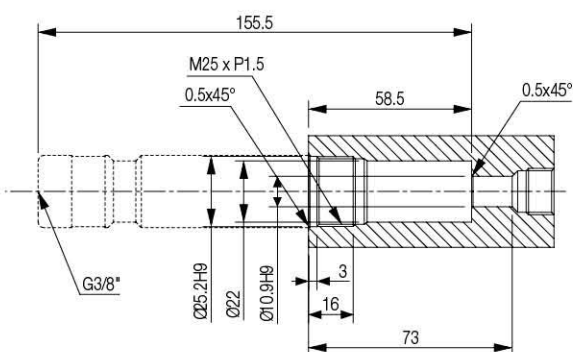
[ Unit : mm ]



VC303



VC303S



VC303P