

# VMECA VACUUM CARTRIDGE

## VCL303

### Features and Strengths

- Three stage – VMECA midi cartridge
- Large vacuum flow in efficient air consumption
- International patent
- Reliable performance despite inconsistent compressed air pressure



### Specifications

Description	VCL303
Max. Vacuum level	-75 kPa
Open Vacuum flow	362 NI/min
Max. Feed pressure	7 bar
Temperature	-20 ~ 80 °C
Material	PPS, POM, NBR, AL(Holding plug)
Weight	24.12 g

### Vacuum Flow

Model	Max. vacuum (-kPa)	Feed Pressure (bar)	Vacuum flow (NI/min) at different vacuum levels (-kPa)									
			0	10	20	30	40	50	60	70	80	90
VCL303	60	4	302	176	110	70	46	28	6.8	-	-	-
	70	5	344	200	130	82	50	37.5	23	11.9	-	-
	75	6	362	215	154	100	52	38	32	22	-	-

### Evacuation Time

Model	Feed Pressure (bar)	Air Consumption (NI/min)	Evacuation time in sec / liter to reach different vacuum levels (-kPa)									
			10	20	30	40	50	60	70	80	90	
VCL303	4	70	0.028	0.09	0.17	0.29	0.38	0.8	-	-	-	
	5	85	0.013	0.08	0.15	0.25	0.3	0.4	0.8	-	-	
	6	104	0.012	0.07	0.12	0.2	0.28	0.36	0.6	-	-	

## Build an Ordering No.

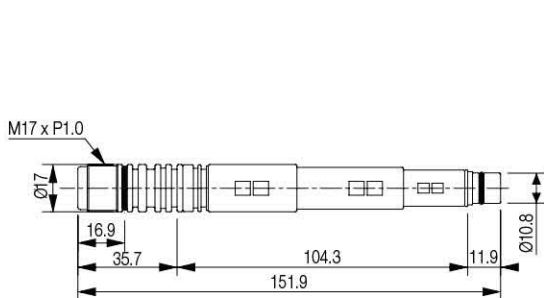
1. Cartridge	Description	Ordering No.
	Midi vacuum "L" cartridge, 3-stage	VCL303
	Midi vacuum "L" cartridge, 3-stage, Non-return valve	VCL303-N
	Midi vacuum "L" cartridge, 3-stage, Holding plug	VCL303P
	Midi vacuum "L" cartridge, 3-stage, Holding plug, Non-return valve	VCL303P-N
	Midi vacuum "L" cartridge, 3-stage, M25 Two-fold silencer	VCL303S
	Midi vacuum "L" cartridge, 3-stage, M25 Two-fold silencer, Non-return valve	VCL303S-N

## Spare Parts – Plug

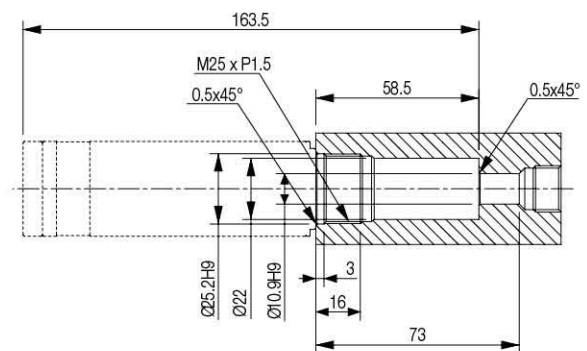
Model	Description	Weight (g)
VCP-M25-303	Holding plug	59.32
VTTS-M25	M25 Two-fold silencer	78.34

## Dimension - Basic Pump

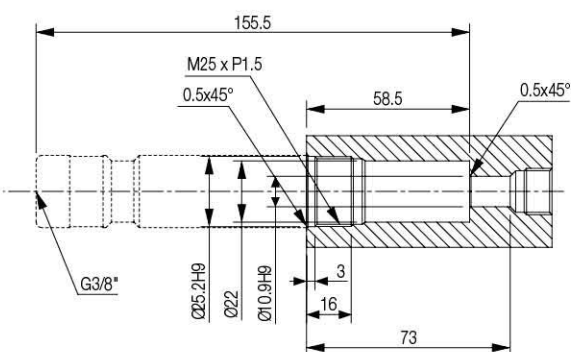
[ Unit : mm ]



VCL303



VCL303S



VCL303P