

LEVEL COMPENSATORS

L5 series

Features and Strengths

Reliable and precise pick up position for differences in height on the surface of material
Configurations with varying sizes of spring and stroke



Specifications

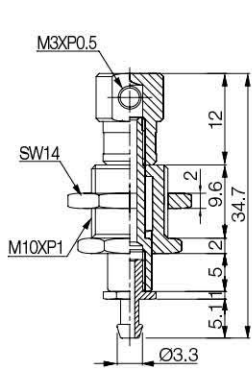
Model	Stroke (mm)	Weight (g)	Material	Model	Stroke (mm)	Weight (g)	Material
L505TU	5	13.32	Al, SS, BS	L510LTS	10	19.8	Al, SS, BS
L506TX	6	12		L510LTU	10	19.2	
L506TS	6	12		L510LTM	10	19	
L506TU	6	11		L510C	10	37	
L506TM	6	11		L510TL	10	35.52	
L506TX-SS	6	12.48		L510STX	10	16.06	
L506TS-SS	6	12.48		L510LTX-SS	10	20.28	
L506TU-SS	6	11.44		L510LTS-SS	10	17.68	
L506TM-SS	6	11.44		L510LTU-SS	10	17.03	
L507T	7	17		L510LTM-SS	10	19.76	
L508W	8	5.07		L515T	15	20	
L508FW	8	15.27		L515T-M4F	15	25.92	
L510	10	33		L520	20	36	
L510T	10	30		L520T	20	33	
L510LTX	10	19.5		L520TF	20	20	

Build an Ordering No.

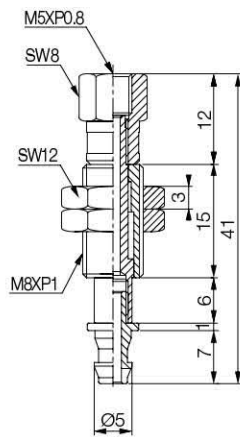
1. Level compensator	Description	Symbol
	Level compensator, 6mm stroke, Direct fitting connection for VB6X, VU1.5X, VU2X & VU4X	L506TX
	Level compensator, 6mm stroke, Direct fitting connection for VU10, VU15, VF15, VB10, VB12 & VB15	L506TS
	Level compensator, 6mm stroke, Direct fitting connection for VU4, VU6, VU8, VB5 & VB8	L506TU
	Level compensator, 6mm stroke, Direct fitting connection for VU2 & VU3	L506TM
	Level compensator, 6mm stroke, Stainless, Direct fitting connection for VB6X, VU1.5X, VU2X & VU4X	L506TX-SS
	Level compensator, 6mm stroke, Stainless, Direct fitting connection for VU10, VU15, VF15, VB10, VB12 & VB15	L506TS-SS
	Level compensator, 6mm stroke, Stainless, Direct fitting connection for VU4, VU6, VU8, VB5 & VB8	L506TU-SS
	Level compensator, 6mm stroke, Stainless, Direct fitting connection for VU2 & VU3	L506TM-SS
	Level compensator, 7mm stroke, Connection – Fitting M5 female	L507T
	Level compensator, 8mm stroke, Connection – Fitting M5 male	L508W
	Level compensator, 8mm stroke, Connection – Fitting M5 female	L508FW
	Level compensator, 10mm stroke, Connection – Fitting M5 male	L510
	Level compensator, 10mm stroke, Connection – Fitting M5 male	L510T
	Level compensator, 10mm stroke, Direct fitting connection for VB6X, VU1.5X, VU2X & VU4X	L510LTX
	Level compensator, 10mm stroke, Direct fitting connection for VU10, VU15, VF15, VB10, VB12 & VB15	L510LTS
	Level compensator, 10mm stroke, Direct fitting connection for VU4, VU6, VU8, VB5 & VB8	L510LTU
	Level compensator, 10mm stroke, Direct fitting connection for VU2 & VU3	L510LTM
	Level compensator, 10mm stroke, Connection – Fitting M5 female	L510C
	Level compensator, 10mm stroke, Stainless, Direct fitting connection for VB6X, VU1.5X, VU2X & VU4X	L510LTX-SS
	Level compensator, 10mm stroke, Stainless, Direct fitting connection for VU10, VU15, VF15, VB10, VB12 & VB15	L510LTS-SS
	Level compensator, 10mm stroke, Stainless, Direct fitting connection for VU4, VU6, VU8, VB5 & VB8	L510LTU-SS
	Level compensator, 10mm stroke, Stainless, Direct fitting connection for VU2 & VU3	L510LTM-SS
	Level compensator, 15mm stroke, Connection – Fitting M5 female	L515T
	Level compensator, 15mm stroke, Connection – Fitting M4 female	L515T-M4F
	Level compensator, 20mm stroke, Connection – Fitting M5 male	L520
	Level compensator, 20mm stroke, Connection – Fitting M5 male	L520T
	Level compensator, 20mm stroke, Connection – Fitting M5 female	L520TF

Dimension

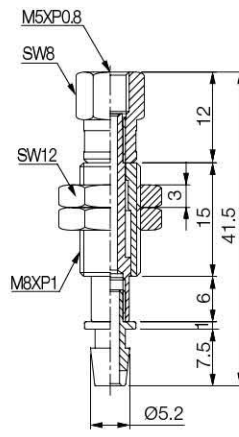
[Unit : mm]



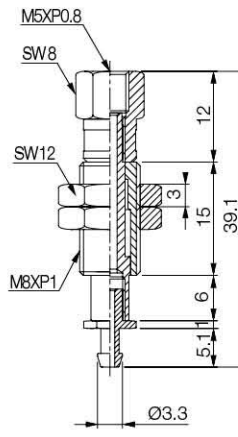
[L505TU]



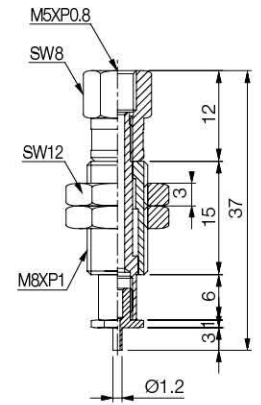
[L506TX & L506TX-SS]



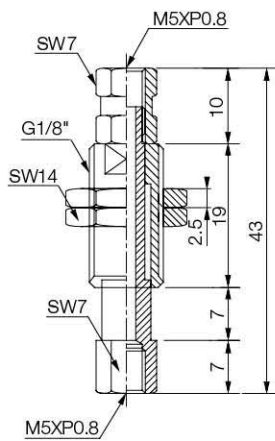
[L506TS & L506TS-SS]



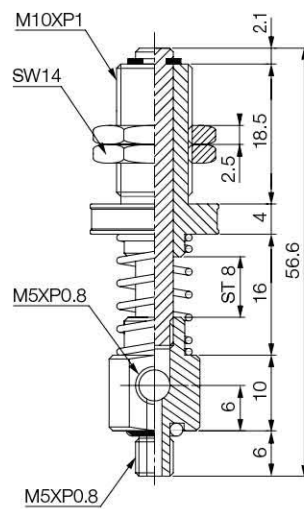
[L506TU & L506TU-SS]



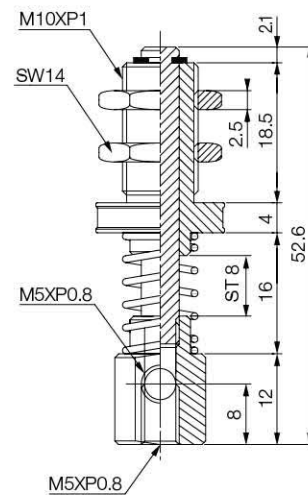
[L506TM & L506TM-SS]



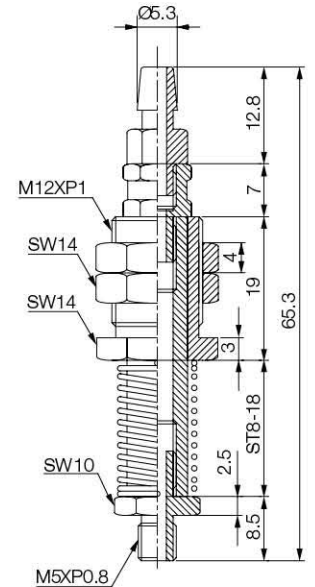
[L507T]



[L508W]



[L508FW]

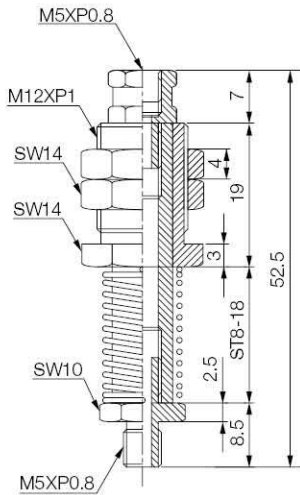


[L510]

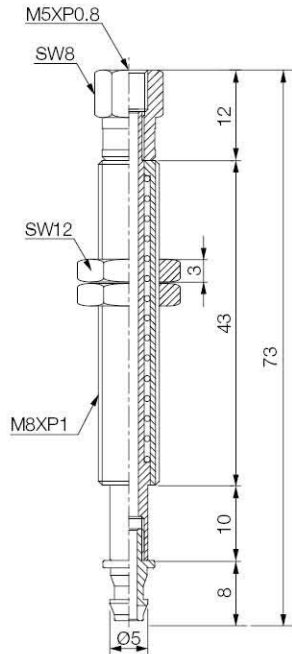
LEVEL COMPENSATORS

Dimension

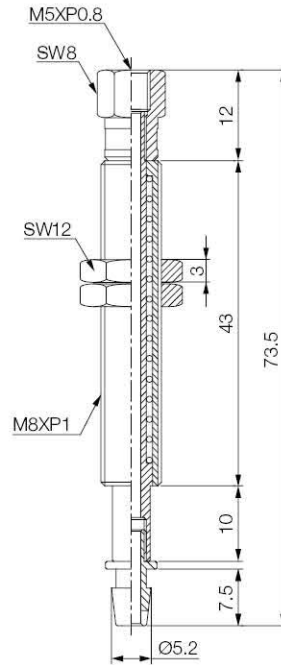
[Unit : mm]



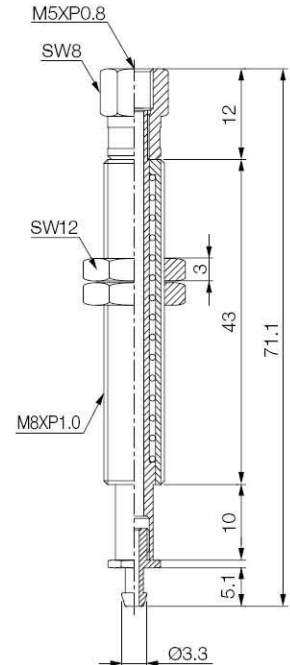
[L510T]



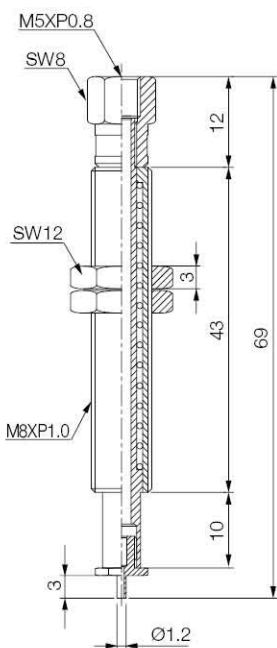
[L510LTX & L510LTX-SS]



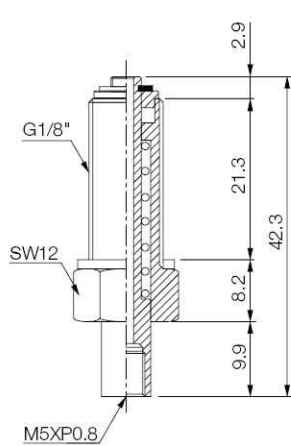
[L510LTS & L510LTS-SS]



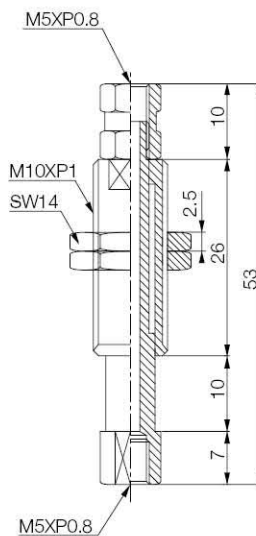
[L510LTU & L510LTU-SS]



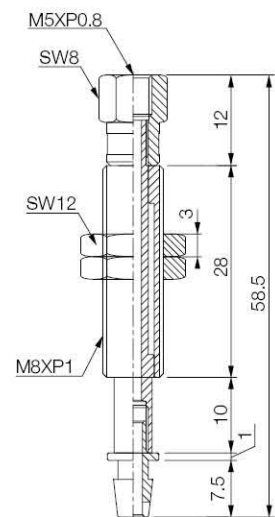
[L510LTM & L510LTM-SS]



[L510C]



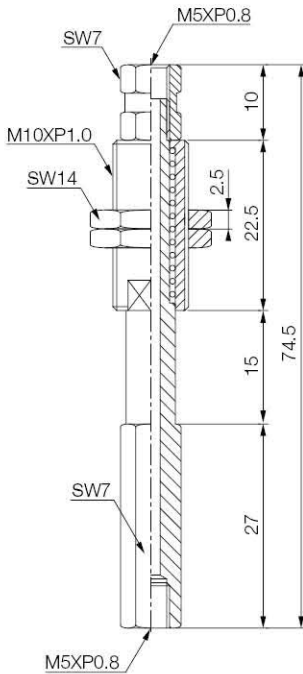
[L510TL]



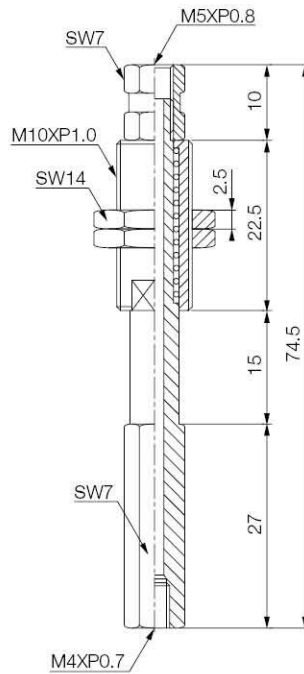
[L510STX]

Dimension

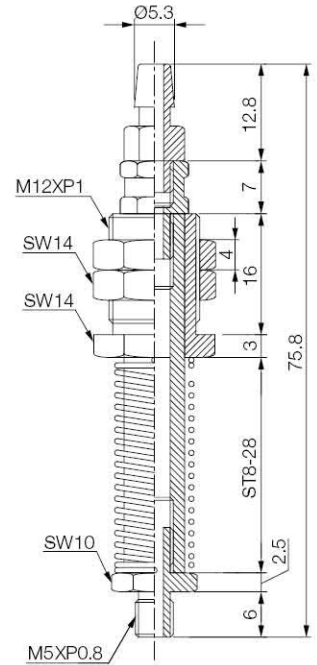
[Unit : mm]



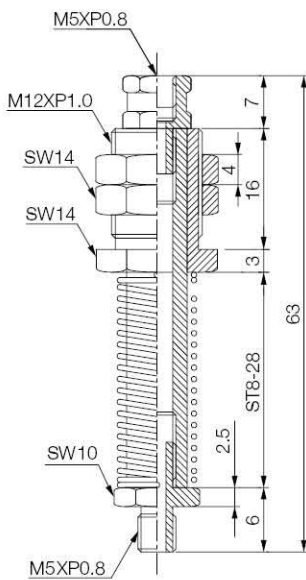
[L515T]



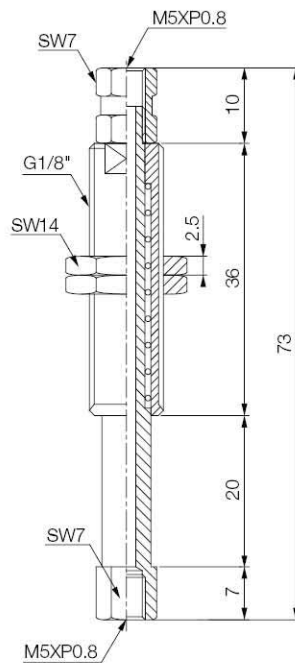
[L515T-M4F]



[L520]



[L520T]



[L520TF]