

SUCTION CUPS / Multi Bellows & Flat

VBF25



Features and Strengths

Highly fast operation in automobile, glass and wooden panel industry
 Excellent for oily surface products and convex products
 Innovatively designed for slightly curved and flat material



Examples of use

Metal Sheets, Car panels, Press metal sheets,
 Glass, Carton boxes, Electronic goods, Carton boxes, Furniture, Wood panel

Recommended Lifting Force (Max.)

Model	Volume (cm ³)	Lifting Force (Kg) - Perpendicular			Lifting Force (Kg) - Parallel		
		- 20 kPa	- 60 kPa	- 90 kPa	- 20 kPa	- 60 kPa	- 90 kPa
VBF25	2.6	1.10	3.20	3.80	0.61	1.37	1.89

※ The lifting force above does not include safety factor

Material Specifications

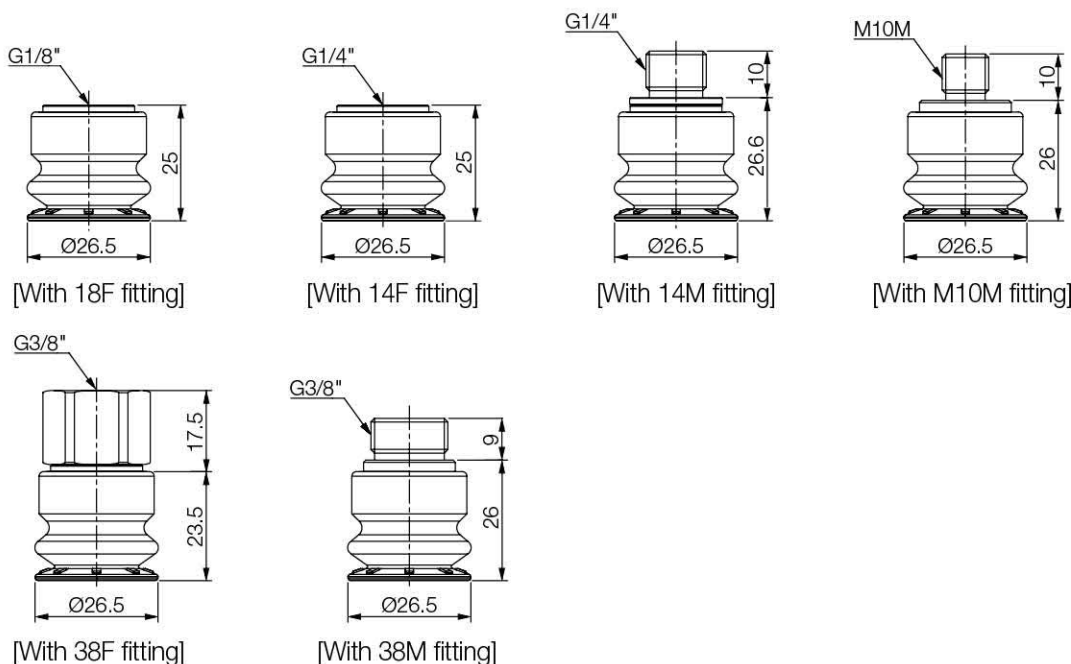
Material	Hardness Shore (°)	Color	Temperature (°C)
NBR	60	Blue	-20~110
Silicone	55	Red	-70~200
Polyurethane	60	Translucent Orange	0~60

Material Resistance

Description	NBR	Silicone	Polyurethane
Wear Resistance	Excellent	Good	Excellent
Oil	Excellent	Poor	Excellent
Weather / Ozone	Fair	Excellent	Excellent
Alcohol	Good	Good	Fair
Acid	Fair	Poor	Fair

Dimension

[Unit : mm]



Build an Ordering No.



: Pre-mounted fitting

1. Suction cup	Description	Weight (g)	Symbol
	Bellows-flat suction cup, 25mm diameter, Nitrile (NBR), M10xP1.5 male fitting	19.73	VBF25-N-M10M
	Bellows-flat suction cup, 25mm diameter, Silicone, M10xP1.5 male fitting	18.51	VBF25-S-M10M
	Bellows-flat suction cup, 25mm diameter, Polyurethane, M10xP1.5 male fitting	19.87	VBF25-PU-M10M
	Bellows-flat suction cup, 25mm diameter, Nitrile (NBR), G1/8 female fitting	13.41	VBF25-N-18F
	Bellows-flat suction cup, 25mm diameter, Silicone, G1/8 female fitting	12.19	VBF25-S-18F
	Bellows-flat suction cup, 25mm diameter, Polyurethane, G1/8 female fitting	14	VBF25-PU-18F
	Bellows-flat suction cup, 25mm diameter, Nitrile (NBR), G1/4 female fitting	11.93	VBF25-N-14F
	Bellows-flat suction cup, 25mm diameter, Silicone, G1/4 female fitting	10.84	VBF25-S-14F
	Bellows-flat suction cup, 25mm diameter, Polyurethane, G1/4 female fitting	14	VBF25-PU-14F
	Bellows-flat suction cup, 25mm diameter, Nitrile (NBR), G1/4 male fitting	17.35	VBF25-N-14M
	Bellows-flat suction cup, 25mm diameter, Silicone, G1/4 male fitting	15.77	VBF25-S-14M
	Bellows-flat suction cup, 25mm diameter, Polyurethane, G1/4 male fitting	17.49	VBF25-PU-14M
	Bellows-flat suction cup, 25mm diameter, Nitrile (NBR), G3/8 female fitting	21.45	VBF25-N-38F
	Bellows-flat suction cup, 25mm diameter, Silicone, G3/8 female fitting	19.5	VBF25-S-38F
	Bellows-flat suction cup, 25mm diameter, Polyurethane, G3/8 female fitting	21.59	VBF25-PU-38F
	Bellows-flat suction cup, 25mm diameter, Nitrile (NBR), G3/8 male fitting	19.84	VBF25-N-38M
	Bellows-flat suction cup, 25mm diameter, Silicone, G3/8 male fitting	18.03	VBF25-S-38M
	Bellows-flat suction cup, 25mm diameter, Polyurethane, G3/8 male fitting	19.98	VBF25-PU-38M