

SUCTION CUPS / Long Multi Bellows

VBL30

Features and Strengths

Widely cover for increased degree of height compensation
Excellent for fragile products

Examples of use

Fragile objects, General food products
Glass, Eggs, Bread



Recommended Lifting Force (Max.)

Model	Volume (cm ³)	Lifting Force (Kg) - Perpendicular	
		- 20 kPa	- 60 kPa
VBL30	13.00	0.90	2.20

※ The lifting force above does not include safety factor

Material Specifications

Material	Hardness Shore (°)	Color	Temperature (°C)
NBR	60	Black	-20~110
Silicone	55	Red	-70~200
White Silicone	55	Translucent White	-70~200
White Silicone (FDA)	55	Translucent White	-70~200
High temp. Silicone	50	Blue	-70~280
Conductive Silicone	70	Smoky Black	-45~90
Urethane	60	Dark Green	0~100
Mark Free	75	Black	-10~100

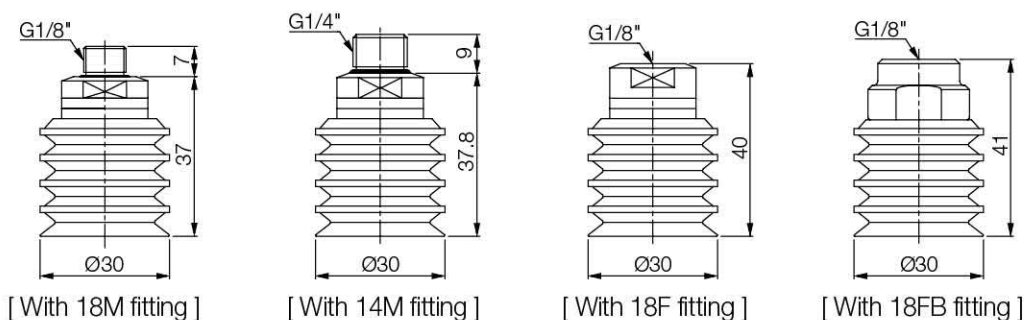
※ For additional material, see page 32~33

Material Resistance

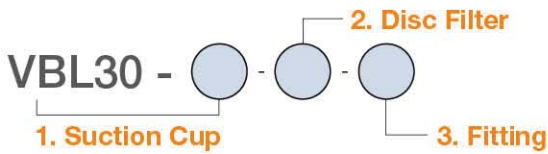
Description	NBR	Silicone	White Silicone	High temp. Silicone	Conductive Silicone	Urethane	Mark Free
Wear Resistance	Excellent	Good	Good	Good	Good	Excellent	Good
Oil	Excellent	Poor	Poor	Poor	Poor	Excellent	Excellent
Weather / Ozone	Fair	Excellent	Excellent	Excellent	Excellent	Excellent	Excellent
Alcohol	Good	Good	Good	Good	Good	Fair	Good
Acid	Fair	Poor	Poor	Poor	Poor	Poor	Excellent

Dimension

[Unit : mm]



I Build an Ordering No.



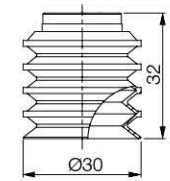
1. Suction cup	Description	Symbol
	Long multi-bellows suction cup, 30mm diameter, Nitrile (NBR)	VBL30-N
	Long multi-bellows suction cup, 30mm diameter, Silicone	VBL30-S
	Long multi-bellows suction cup, 30mm diameter, White silicone	VBL30-WS
	Long multi-bellows suction cup, 30mm diameter, White silicone (FDA)	VBL30-WS(FDA)
	Long multi-bellows suction cup, 30mm diameter, High temperature silicone	VBL30-HS
	Long multi-bellows suction cup, 30mm diameter, Conductive silicone	VBL30-CS
	Long multi-bellows suction cup, 30mm diameter, Urethane	VBL30-U
	Long multi-bellows suction cup, 30mm diameter, Mark free	VBL30-A
2. Disc Filter	Description	Symbol
	No disc filter	Blank
	Disc filter, Polyethylene	F
3. Fitting	Description	Symbol
	Fitting, G1/8 female	18F
	Fitting, G1/8 female, Mesh filter	M-18F
	Efficiency valve, Fitting, G1/8 female	18F-EV
	Fitting, G1/8 female, For silicone material	18FB*
	Fitting, G1/8 female, Old profile	18FO
	Fitting, G1/8 female, Old profile, Mesh filter	M-18FO
	Fitting, G1/8 male	18M
	Fitting, G1/8 male, Mesh filter	M-18M
	Efficiency valve, Fitting, G1/8 male	18M-EV
	Fitting, G1/4 male	14M
	Fitting, G1/4 male, Mesh filter	M-14M
	Efficiency valve, Fitting, G1/4 male	14M-EV

* 18FB is available only for Silicone material.

I Spare Parts – Rubber Parts

Part No.	Description	Weight (g)	Color
VBL30-N	Long multi-bellows suction cup, 30mm diameter, Nitrile (NBR)	6.39	Black
VBL30-S	Long multi-bellows suction cup, 30mm diameter, Silicone	5.26	Red
VBL30-WS	Long multi-bellows suction cup, 30mm diameter, White silicone	5.65	Translucent White
VBL30-WS(FDA)	Long multi-bellows suction cup, 30mm diameter, White silicone (FDA)	5.65	Translucent White
VBL30-HS	Long multi-bellows suction cup, 30mm diameter, High temperature silicone	6.38	Blue
VBL30-CS	Long multi-bellows suction cup, 30mm diameter, Conductive silicone	5.44	Smoky Black
VBL30-U	Long multi-bellows suction cup, 30mm diameter, Urethane	5.96	Dark Green
VBL30-A	Long multi-bellows suction cup, 30mm diameter, Mark free	7.25	Black

[Unit : mm]



[Rubber part]

I Spare Parts – Disc Filter

Part No.	Description	Weight (g)
VTFE-BL30	Disc filter, Polyethylene	0.53

I Spare Parts – Fittings

Part No. (Code No.)	Fitting size	Description	Weight (g)
350 000 3311	18F	G1/8 female	5.68
350 000 4311	18F-F	G1/8 female, Mesh filter	5.73
350 010 3311	18F-EV	Efficiency valve, G1/8 female	5.63
350 000 3331	18FB	G1/8 female, For silicone material	9.78
350 000 2311	18FO	G1/8 female, Old profile	8.24
350 000 4811	18FO-F	G1/8 female, Old profile, Mesh filter	8.41
350 000 2304	18M	G1/8 male	4.93
350 000 4304	18M-F	G1/8 male, Mesh filter	5.04
350 010 2304	18M-EV	Efficiency valve, G1/8 male	5.08
350 000 3404	14M	G1/4 male	5.88
350 000 3804	14M-F	G1/4 male, Mesh filter	5.92
350 010 3404	14M-EV	Efficiency valve, G1/4 male	6.03