

SUCTION CUPS / Deep Flat

VDF25

Features and Strengths

Highly fast operation in automobile, glass and wooden panel industry
 Excellent for oily surface products and convex products
 Innovatively designed for slightly curved and flat material

Examples of use

Metal sheets, Car panel, Press metal sheets, Panel,
 Electronic goods, Flat&curved glass



Recommended Lifting Force (Max.)

Model	Volume (cm ³)	Lifting Force (Kg) - Perpendicular			Lifting Force (Kg) - Parallel		
		- 20 kPa	- 60 kPa	- 90 kPa	- 20 kPa	- 60 kPa	- 90 kPa
VDF25	1.50	1.40	3.00	4.10	0.70	1.90	2.90

※ The lifting force above does not include safety factor

Material Specifications

Material	Hardness Shore (°)	Color	Temperature (°C)
Polyurethane	60	Translucent Orange	0~60

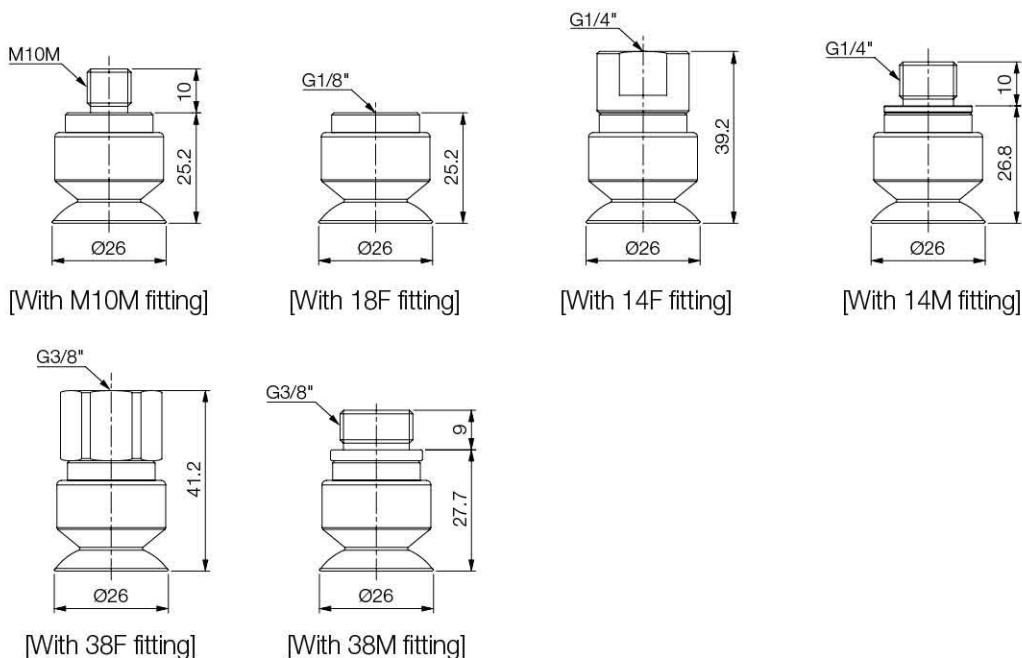
※ For additional material, see page 32~33

Material Resistance

Description	Polyurethane
Wear Resistance	Excellent
Oil	Excellent
Weather / Ozone	Excellent
Alcohol	Fair
Acid	Fair

Dimension

[Unit : mm]



Build an Ordering No.

VDF25 -  - 

1. Suction Cup

: Pre-mounted fitting

1. Suction cup	Description	Weight (g)	Symbol
	Deep-flat suction cup, 25mm diameter, Polyurethane, M10xP1.5 male fitting	17	VDF25-PU-M10M
	Deep-flat suction cup, 25mm diameter, Polyurethane, G1/8 female fitting	15.12	VDF25-PU-18F
	Deep-flat suction cup, 25mm diameter, Polyurethane, G1/4 female fitting	14.28	VDF25-PU-14F
	Deep-flat suction cup, 25mm diameter, Polyurethane, G1/4 male fitting	19.06	VDF25-PU-14M
	Deep-flat suction cup, 25mm diameter, Polyurethane, G3/8 female fitting	23.16	VDF25-PU-38F
	Deep-flat suction cup, 25mm diameter, Polyurethane, G3/8 male fitting	21.55	VDF25-PU-38M