

# SUCTION CUPS / Deep Flat

## VDF30

### Features and Strengths

Highly fast operation in automobile, glass and wooden panel industry  
 Excellent for oily surface products and convex products  
 Innovatively designed for slightly curved and flat material

### Examples of use

Metal sheets, Car panel, Press metal sheets, Panel,  
 Electronic goods, Flat&curved glass



### Recommended Lifting Force (Max.)

Model	Volume (cm <sup>3</sup> )	Lifting Force (Kg) - Perpendicular			Lifting Force (Kg) - Parallel		
		- 20 kPa	- 60 kPa	- 90 kPa	- 20 kPa	- 60 kPa	- 90 kPa
VDF30	2.70	1.80	4.40	5.70	1.00	2.80	3.80

※ The lifting force above does not include safety factor

### Material Specifications

Material	Hardness Shore (°)	Color	Temperature (°C)
Polyurethane	60	Translucent Orange	0~60

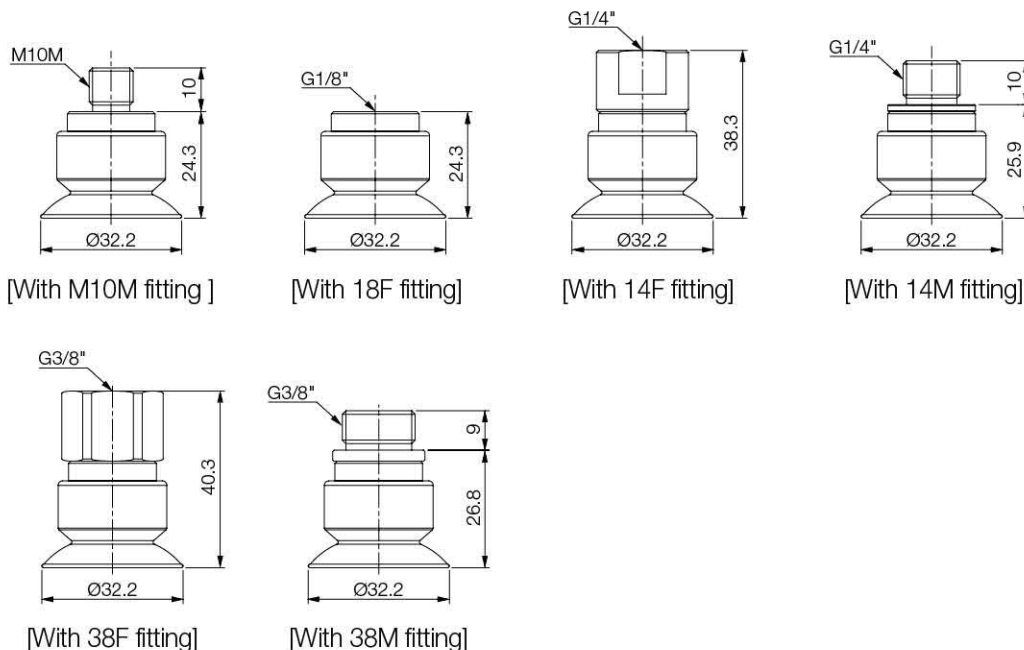
※ For additional material, see page 32~33

### Material Resistance

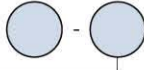
Description	Polyurethane
Wear Resistance	Excellent
Oil	Excellent
Weather / Ozone	Excellent
Alcohol	Fair
Acid	Fair

### Dimension

[ Unit : mm ]



## I Build an Ordering No.

VDF30 -  : Pre-mounted fitting  
 1. Suction Cup

1. Suction cup	Description	Weight (g)	Symbol
	Deep-flat suction cup, 30mm diameter, Polyurethane, M10xP1.5 male fitting	17.2	VDF30-PU-M10M
	Deep-flat suction cup, 30mm diameter, Polyurethane, G1/8 female fitting	16.02	VDF30-PU-18F
	Deep-flat suction cup, 30mm diameter, Polyurethane, G1/4 female fitting	16.32	VDF30-PU-14F
	Deep-flat suction cup, 30mm diameter, Polyurethane, G1/4 male fitting	19.96	VDF30-PU-14M
	Deep-flat suction cup, 30mm diameter, Polyurethane, G3/8 female fitting	24.06	VDF30-PU-38F
	Deep-flat suction cup, 30mm diameter, Polyurethane, G3/8 male fitting	22.45	VDF30-PU-38M