

SUCTION CUPS / Deep Flat

VDF60

Features and Strengths

Highly fast operation in automobile, glass and wooden panel industry
 Excellent for oily surface products and convex products
 Innovatively designed for slightly curved and flat material

Examples of use

Metal sheets, Car panel, Press metal sheets, Panel,
 Electronic goods, Flat&curved glass



Recommended Lifting Force (Max.)

Model	Volume (cm ³)	Lifting Force (Kg) - Perpendicular			Lifting Force (Kg) - Parallel		
		- 20 kPa	- 60 kPa	- 90 kPa	- 20 kPa	- 60 kPa	- 90 kPa
VDF60	24.00	5.60	13.70	19.00	4.30	13.80	24.50

※ The lifting force above does not include safety factor

Material Specifications

Material	Hardness Shore (°)	Color	Temperature (°C)
Polyurethane	60	Translucent Orange	0~60

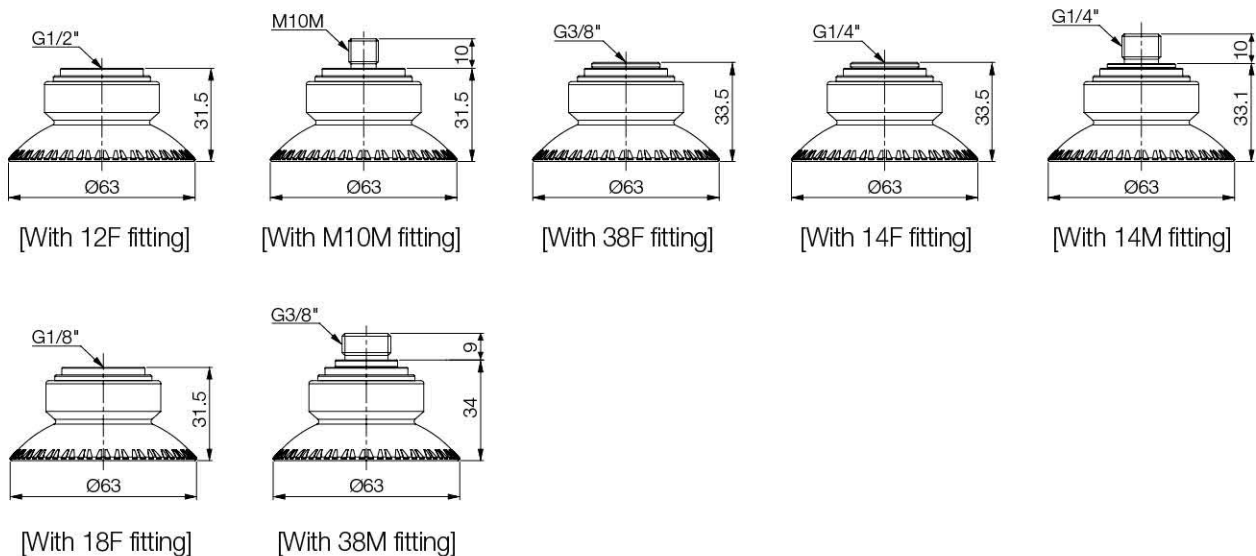
※ For additional material, see page 32~33

Material Resistance

Description	Polyurethane
Wear Resistance	Excellent
Oil	Excellent
Weather / Ozone	Excellent
Alcohol	Fair
Acid	Fair

Dimension

[Unit : mm]



Build an Ordering No.

VDF60 -  - 

1. Suction Cup

: Pre-mounted fitting

1. Suction cup	Description	Weight (g)	Symbol
	Deep-flat suction cup, 60mm diameter, Polyurethane, M10xP1.5 male fitting	44.3	VDF60-PU-M10M
	Deep-flat suction cup, 60mm diameter, Polyurethane, G1/8 female fitting	55.42	VDF60-PU-18F
	Deep-flat suction cup, 60mm diameter, Polyurethane, G1/4 female fitting	39.52	VDF60-PU-14F
	Deep-flat suction cup, 60mm diameter, Polyurethane, G1/4 male fitting	59.36	VDF60-PU-14M
	Deep-flat suction cup, 60mm diameter, Polyurethane, G3/8 female fitting	52.17	VDF60-PU-38F
	Deep-flat suction cup, 60mm diameter, Polyurethane, G3/8 male fitting	44.94	VDF60-PU-38M
	Deep-flat suction cup, 60mm diameter, Polyurethane, G1/2 female fitting	34.08	VDF60-PU-12F