

# SUCTION CUPS / Oval Flat Bellow

## VOBF30x60

### Features and Strengths

Over bellows shaped for handling long, narrow, curved and oily workpieces  
The feet inside the cup provide an anti-slide

### Examples of use

Automotive panels and doors, Metal sheets, Press line  
Carton box, Wood panel, Furniture



### Recommended Lifting Force (Max.)

Model	Volume (cm <sup>3</sup> )	Min. Curvature Radius R(mm)	Lifting Force (Kg) - Perpendicular			Lifting Force (Kg) - Parallel		
			- 20 kPa	- 60 kPa	- 90 kPa	- 20 kPa	- 60 kPa	- 90 kPa
VOBF30x60	11.00	30.00	2.7	7.6	11.2	2.8	7.8	14.5

※ The lifting force above does not include safety factor

### Material Specifications

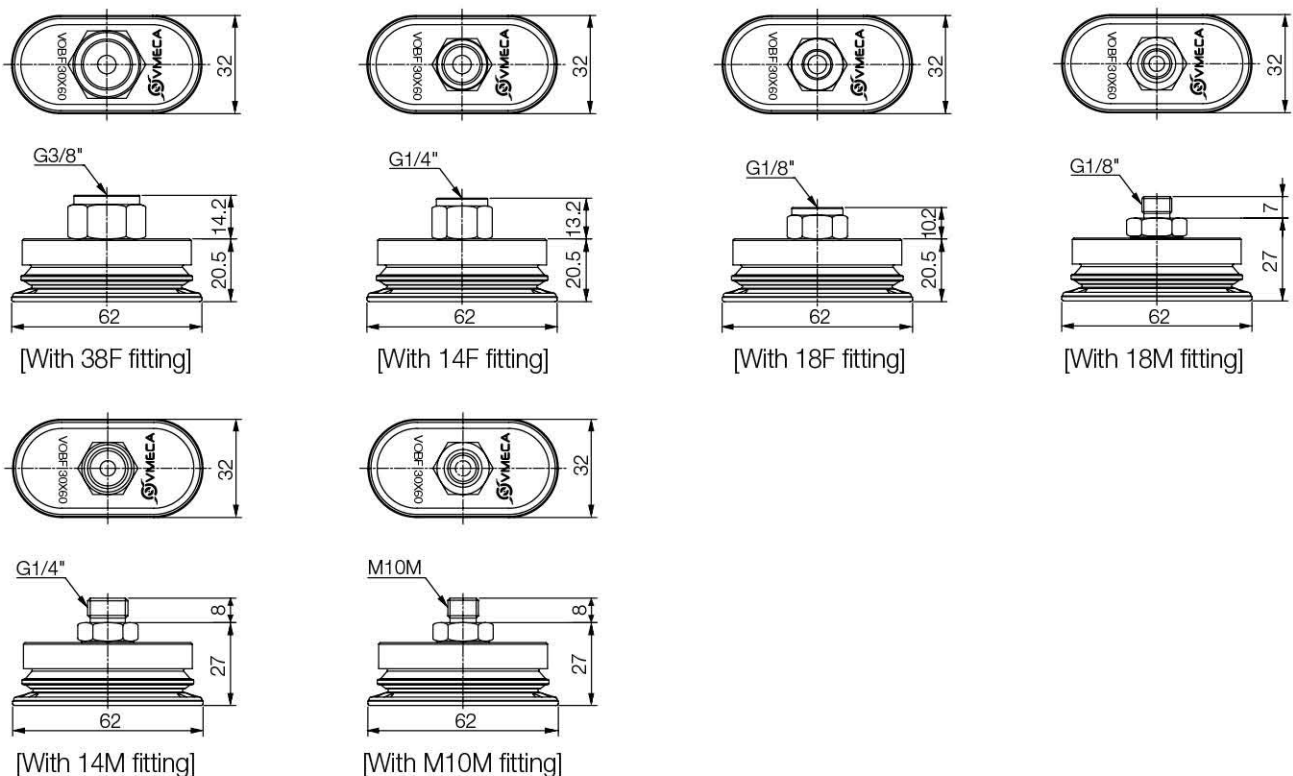
Material	Hardness Shore (°)	Color	Temperature (°C)
Polyurethane	60	Translucent Orange	0~60

### Material Resistance

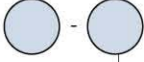
Description	Polyurethane
Wear Resistance	Excellent
Oil	Excellent
Weather / Ozone	Excellent
Alcohol	Fair
Acid	Fair

### Dimension

[ Unit : mm ]



## Build an Ordering No.

VOBF30x60 -  : Pre-mounted fitting

**1. Suction Cup**

1. Suction cup	Description	Weight (g)	Symbol
	Oval flat bellow suction cup, 30x60mm diameter, Polyurethane, M10xP1.5 male Fitting	30.57	VOBF30x60-PU-M10M
	Oval flat bellow suction cup, 30x60mm diameter, Polyurethane, G1/8 female Fitting	32.9	VOBF30x60-PU-18F
	Oval flat bellow suction cup, 30x60mm diameter, Polyurethane, G1/8 male Fitting	30.96	VOBF30x60-PU-18M
	Oval flat bellow suction cup, 30x60mm diameter, Polyurethane, G1/4 female Fitting	28.51	VOBF30x60-PU-14F
	Oval flat bellow suction cup, 30x60mm diameter, Polyurethane, G1/4 male Fitting	32.15	VOBF30x60-PU-14M
	Oval flat bellow suction cup, 30x60mm diameter, Polyurethane, G3/8 female Fitting	31.83	VOBF30x60-PU-38F