

SUCTION CUPS / Oval Universal

VOU4x10

Features and Strengths

Great performance for handling long objects with flat and curved surfaces



Examples of use

Semiconductor Chips, PCB boards, Electronic component
Solar cell, Small glass cases, Pipes



Recommended Lifting Force (Max.)

Model	Volume (cm ³)	Min. Curvature Radius R(mm)	Lifting Force (Kg) - Perpendicular		
			- 20 kPa	- 60 kPa	- 90 kPa
VOU4x10	0.064	3.50	0.19	0.30	0.35

※ The lifting force above does not include safety factor

Material Specifications

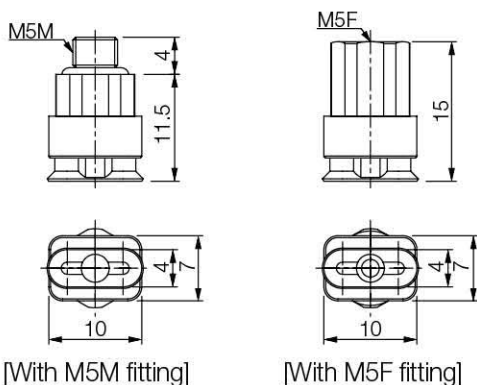
Material	Hardness Shore (°)	Color	Temperature (°C)
NBR	60	Black	-20~110
Silicone	55	Red	-70~200
White Silicone	55	Translucent White	-70~200
White Silicone (FDA)	55	Translucent White	-70~200
High temp. Silicone	50	Blue	-70~280
Conductive Silicone	70	Smoky Black	-45~90
Urethane	60	Dark Green	0~100

Material Resistance

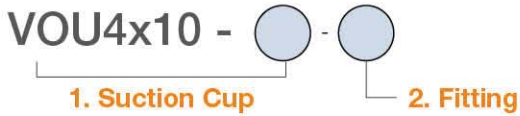
Description	NBR	Silicone	White Silicone	High temp. Silicone	Conductive Silicone	Urethane
Wear Resistance	Excellent	Good	Good	Good	Good	Excellent
Oil	Excellent	Poor	Poor	Poor	Poor	Excellent
Weather / Ozone	Fair	Excellent	Excellent	Excellent	Excellent	Excellent
Alcohol	Good	Good	Good	Good	Good	Fair
Acid	Fair	Poor	Poor	Poor	Poor	Poor

Dimension

[Unit : mm]



I Build an Ordering No.



1. Suction cup	Description	Symbol
	Oval-Universal suction cup, 4x10mm diameter, Nitrile (NBR)	VOU4x10-N
	Oval-Universal suction cup, 4x10mm diameter, Silicone	VOU4x10-S
	Oval-Universal suction cup, 4x10mm diameter, White silicone	VOU4x10-WS
	Oval-Universal suction cup, 4x10mm diameter, White silicone (FDA)	VOU4x10-WS (FDA)
	Oval-Universal suction cup, 4x10mm diameter, High temperature silicone	VOU4x10-HS
	Oval-Universal suction cup, 4x10mm diameter, Conductive silicone	VOU4x10-CS
	Oval-Universal suction cup, 4x10mm diameter, Urethane	VOU4x10-U

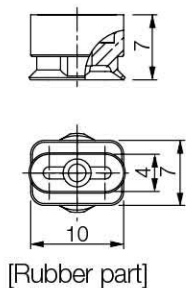
2. Fitting	Description	Symbol
	Fitting, M5 female	M5F
	Fitting, M5 male	M5M

I Spare Parts – Rubber Parts

Part No.	Description	Weight (g)	Color
VOU4x10-N	Oval-Universal suction cup, 4x10mm diameter, Nitrile (NBR)	0.30	Black
VOU4x10-S	Oval-Universal suction cup, 4x10mm diameter, Silicone	0.28	Red
VOU4x10-WS	Oval-Universal suction cup, 4x10mm diameter, White silicone	0.28	Translucent White
VOU4x10-WS (FDA)	Oval-Universal suction cup, 4x10mm diameter, White silicone (FDA)	0.28	Translucent White
VOU4x10-HS	Oval-Universal suction cup, 4x10mm diameter, High temperature silicone	0.31	Blue
VOU4x10-CS	Oval-Universal suction cup, 4x10mm diameter, Conductive silicone	0.29	Smoky Black
VOU4x10-U	Oval-Universal suction cup, 4x10mm diameter, Urethane	0.31	Dark Green

I Dimension

[Unit : mm]



I Spare Parts – Fittings

Part No. (Code No.)	Fitting size	Description	Weight (g)
350 002 1111	M5F	M5 female	2.82
350 002 1011	M5M	M5 male	1.78