

# SUCTION CUPS / Oval Universal

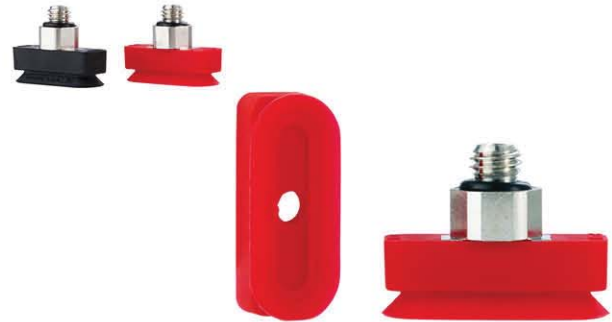
## VOU8x20

### Features and Strengths

Great performance for handling long objects with flat and curved surfaces

### Examples of use

Semiconductor Chips, PCB boards, Electronic component  
Solar cell, Small glass cases, Pipes



### Recommended Lifting Force (Max.)

Model	Volume (cm <sup>3</sup> )	Min. Curvature Radius R(mm)	Lifting Force (Kg) - Perpendicular		
			- 20 kPa	- 60 kPa	- 90 kPa
VOU8x20	0.170	6.50	0.38	0.83	1.21

※ The lifting force above does not include safety factor

### Material Specifications

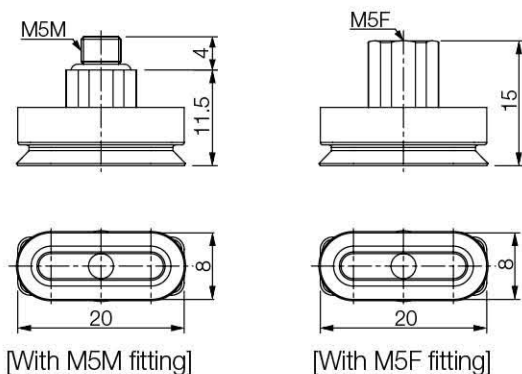
Material	Hardness Shore (°)	Color	Temperature (°C)
NBR	60	Black	-20~110
Silicone	55	Red	-70~200
White Silicone	55	Translucent White	-70~200
White Silicone (FDA)	55	Translucent White	-70~200
High temp. Silicone	50	Blue	-70~280
Conductive Silicone	70	Smoky Black	-45~90
Urethane	60	Dark Green	0~100

### Material Resistance

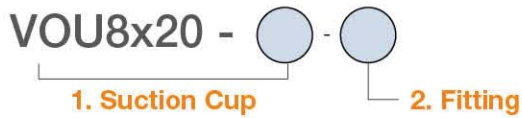
Description	NBR	Silicone	White Silicone	High temp. Silicone	Conductive Silicone	Urethane
Wear Resistance	Excellent	Good	Good	Good	Good	Excellent
Oil	Excellent	Poor	Poor	Poor	Poor	Excellent
Weather / Ozone	Fair	Excellent	Excellent	Excellent	Excellent	Excellent
Alcohol	Good	Good	Good	Good	Good	Fair
Acid	Fair	Poor	Poor	Poor	Poor	Poor

### Dimension

[ Unit : mm ]



## I Build an Ordering No.



1. Suction cup	Description	Symbol
	Oval-Universal suction cup, 8x20mm diameter, Nitrile (NBR)	VOU8x20-N
	Oval-Universal suction cup, 8x20mm diameter, Silicone	VOU8x20-S
	Oval-Universal suction cup, 8x20mm diameter, White silicone	VOU8x20-WS
	Oval-Universal suction cup, 8x20mm diameter, White silicone (FDA)	VOU8x20-WS (FDA)
	Oval-Universal suction cup, 8x20mm diameter, High temperature silicone	VOU8x20-HS
	Oval-Universal suction cup, 8x20mm diameter, Conductive silicone	VOU8x20-CS
	Oval-Universal suction cup, 8x20mm diameter, Urethane	VOU8x20-U

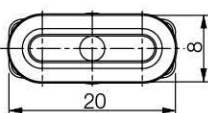
2. Fitting	Description	Symbol
	Fitting, M5 female	M5F
	Fitting, M5 male	M5M

## I Spare Parts – Rubber Parts

Part No.	Description	Weight (g)	Color
VOU8x20-N	Oval-Universal suction cup, 8x20mm diameter, Nitrile (NBR)	0.71	Black
VOU8x20-S	Oval-Universal suction cup, 8x20mm diameter, Silicone	0.67	Red
VOU8x20-WS	Oval-Universal suction cup, 8x20mm diameter, White silicone	0.68	Translucent White
VOU8x20-WS (FDA)	Oval-Universal suction cup, 8x20mm diameter, White silicone (FDA)	0.68	Translucent White
VOU8x20-HS	Oval-Universal suction cup, 8x20mm diameter, High temperature silicone	0.70	Blue
VOU8x20-CS	Oval-Universal suction cup, 8x20mm diameter, Conductive silicone	0.70	Smoky Black
VOU8x20-U	Oval-Universal suction cup, 8x20mm diameter, Urethane	0.73	Dark Green

## I Dimension

[ Unit : mm ]



[Rubber part]

## I Spare Parts – Fittings

Part No. (Code No.)	Fitting size	Description	Weight (g)
350 002 1112	M5F	M5 female	2.82
350 002 1012	M5M	M5 male	1.78