

# SUCTION CUPS / Oval Universal

## VOU8x30

### Features and Strengths

Great performance for handling long objects with flat and curved surfaces

### Examples of use

Semiconductor Chips, PCB boards, Electronic component  
Solar cell, Small glass cases, Pipes



### Recommended Lifting Force (Max.)

Model	Volume (cm <sup>3</sup> )	Min. Curvature Radius R(mm)	Lifting Force (Kg) - Perpendicular		
			- 20 kPa	- 60 kPa	- 90 kPa
VOU8x30	0.250	6.50	0.52	1.21	1.66

※ The lifting force above does not include safety factor

### Material Specifications

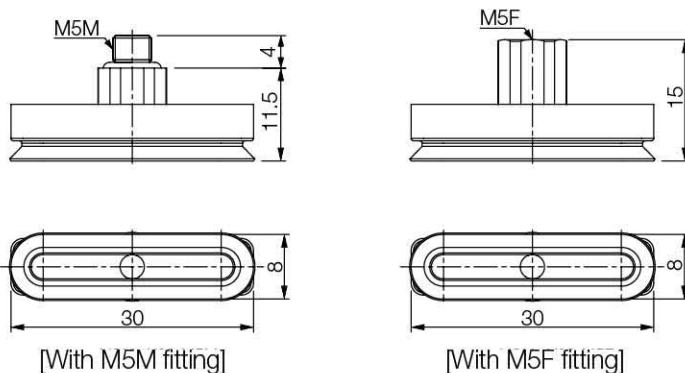
Material	Hardness Shore (°)	Color	Temperature (°C)
NBR	60	Black	-20~110
Silicone	55	Red	-70~200
White Silicone	55	Translucent White	-70~200
White Silicone (FDA)	55	Translucent White	-70~200
High temp. Silicone	50	Blue	-70~280
Conductive Silicone	70	Smoky Black	-45~90
Urethane	60	Dark Green	0~100

### Material Resistance

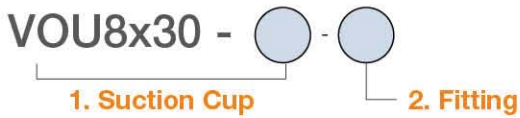
Description	NBR	Silicone	White Silicone	High temp. Silicone	Conductive Silicone	Urethane
Wear Resistance	Excellent	Good	Good	Good	Good	Excellent
Oil	Excellent	Poor	Poor	Poor	Poor	Excellent
Weather / Ozone	Fair	Excellent	Excellent	Excellent	Excellent	Excellent
Alcohol	Good	Good	Good	Good	Good	Fair
Acid	Fair	Poor	Poor	Poor	Poor	Poor

### Dimension

[ Unit : mm ]



## Build an Ordering No.



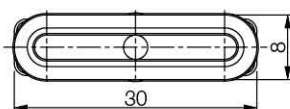
1. Suction cup	Description	Symbol
	Oval-Universal suction cup, 8x30mm diameter, Nitrile (NBR)	VOU8x30-N
	Oval-Universal suction cup, 8x30mm diameter, Silicone	VOU8x30-S
	Oval-Universal suction cup, 8x30mm diameter, White silicone	VOU8x30-WS
	Oval-Universal suction cup, 8x30mm diameter, White silicone (FDA)	VOU8x30-WS (FDA)
	Oval-Universal suction cup, 8x30mm diameter, High temperature silicone	VOU8x30-HS
	Oval-Universal suction cup, 8x30mm diameter, Conductive silicone	VOU8x30-CS
	Oval-Universal suction cup, 8x30mm diameter, Urethane	VOU8x30-U
2. Fitting	Description	Symbol
	Fitting, M5 female	M5F
	Fitting, M5 male	M5M

## Spare Parts – Rubber Parts

Part No.	Description	Weight (g)	Color
VOU8x30-N	Oval-Universal suction cup, 8x30mm diameter, Nitrile (NBR)	1.20	Black
VOU8x30-S	Oval-Universal suction cup, 8x30mm diameter, Silicone	1.12	Red
VOU8x30-WS	Oval-Universal suction cup, 8x30mm diameter, White silicone	1.14	Translucent White
VOU8x30-WS (FDA)	Oval-Universal suction cup, 8x30mm diameter, White silicone (FDA)	1.14	Translucent White
VOU8x30-HS	Oval-Universal suction cup, 8x30mm diameter, High temperature silicone	1.15	Blue
VOU8x30-CS	Oval-Universal suction cup, 8x30mm diameter, Conductive silicone	1.18	Smoky Black
VOU8x30-U	Oval-Universal suction cup, 8x30mm diameter, Urethane	1.24	Dark Green

## Dimension

[ Unit : mm ]



[Rubber part]

## Spare Parts – Fittings

Part No. (Code No.)	Fitting size	Description	Weight (g)
350 002 1112	M5F	M5 female	2.82
350 002 1012	M5M	M5 male	1.78