

SUCTION CUPS / Universal

VU50



Features and Strengths

Excellent performance for flat stable and slightly curved surfaces
Suitable for concave surface

Examples of use

Semiconductor chips, Packaging materials, Metal sheet,
Printing industry, Paper box



Recommended Lifting Force (Max.)

Model	Volume (cm ³)	Lifting Force (Kg) - Perpendicular			Lifting Force (Kg) - Parallel		
		- 20 kPa	- 60 kPa	- 90 kPa	- 20 kPa	- 60 kPa	- 90 kPa
VU50	12.00	3.57	7.44	9.38	2.04	3.77	4.48

※ The lifting force above does not include safety factor

Material Specifications

Material	Hardness Shore (°)	Color	Temperature (°C)
NBR	60	Black	-20~110
Silicone	55	Red	-70~200
White Silicone	55	Translucent White	-70~200
White Silicone (FDA)	55	Translucent White	-70~200
High temp. Silicone	50	Blue	-70~280
Conductive Silicone	70	Smoky Black	-45~90
Urethane	60	Dark Green	0~100
Mark Free	75	Black	-10~100

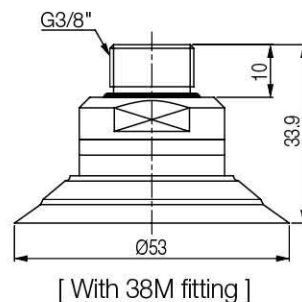
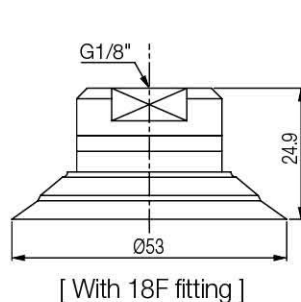
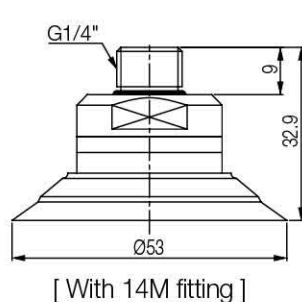
※ For additional material, see page 32~33

Material Resistance

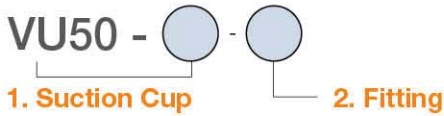
Description	NBR	Silicone	White Silicone	High temp. Silicone	Conductive Silicone	Urethane	Mark Free
Wear Resistance	Excellent	Good	Good	Good	Good	Excellent	Good
Oil	Excellent	Poor	Poor	Poor	Poor	Excellent	Excellent
Weather / Ozone	Fair	Excellent	Excellent	Excellent	Excellent	Excellent	Excellent
Alcohol	Good	Good	Good	Good	Good	Fair	Good
Acid	Fair	Poor	Poor	Poor	Poor	Poor	Excellent

Dimension

[Unit : mm]



I Build an Ordering No.

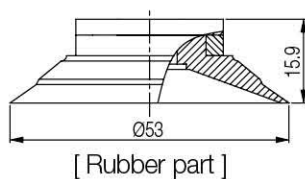


1. Suction cup	Description	Symbol
	Universal suction cup, 50mm diameter, Nitrile (NBR)	VU50-N
	Universal suction cup, 50mm diameter, Silicone	VU50-S
	Universal suction cup, 50mm diameter, White silicone	VU50-WS
	Universal suction cup, 50mm diameter, White silicone (FDA)	VU50-WS (FDA)
	Universal suction cup, 50mm diameter, High temperature silicone	VU50-HS
	Universal suction cup, 50mm diameter, Conductive silicone	VU50-CS
	Universal suction cup, 50mm diameter, Urethane	VU50-U
	Universal suction cup, 50mm diameter, Mark free	VU50-A

2. Fitting	Description	Symbol
	Fitting, G1/8 female	18F
	Fitting, G1/8 female, Mesh filter	M-18F
	Efficiency valve, Fitting, G1/8 Female	18F-EV
	Fitting, G1/8 female, Old profile	18FO
	Fitting, G1/8 female, Old profile, Mesh filter	M-18FO
	Efficiency valve, Fitting, G1/8 female, Old profile	18FO-EV
	Fitting, G1/4 male	14M
	Fitting, G1/4 male, Mesh filter	M-14M
	Efficiency valve, Fitting, G1/4 male	14M-EV
	Fitting, G3/8 male	38M
	Fitting, G3/8 male, Mesh filter	M-38M
	Efficiency valve, Fitting, G3/8 male	38M-EV

I Spare Parts – Rubber Parts

Part No.	Description	Weight (g)	Color
VU50-N	Universal suction cup, 50mm diameter, Nitrile (NBR)	10.51	Black
VU50-S	Universal suction cup, 50mm diameter, Silicone	10.22	Red
VU50-WS	Universal suction cup, 50mm diameter, White silicone	10.22	Translucent White
VU50-WS (FDA)	Universal suction cup, 50mm diameter, White silicone (FDA)	10.22	Translucent White
VU50-HS	Universal suction cup, 50mm diameter, High temperature silicone	10.22	Blue
VU50-CS	Universal suction cup, 50mm diameter, Conductive silicone	10.29	Smoky Black
VU50-U	Universal suction cup, 50mm diameter, Urethane	10.50	Dark Green
VU50-A	Universal suction cup, 50mm diameter, Mark free	13.05	Black



[Unit : mm]

I Spare Parts – Fittings

Part No. (Code No.)	Fitting size	Description	Weight (g)
350 000 3312	18F	G1/8 female	14.47
350 000 4312	18F-F	G1/8 female, Mesh filter	14.58
350 010 3312	18F-EV	Efficiency valve, G1/8 female	15.81
350 000 1312	18FO	G1/8 female, Old profile	10.12
350 000 4912	18FO-F	G1/8 female, Old profile, Mesh filter	10.2
350 010 1312	18FO-EV	Efficiency valve, G1/8 female, Old profile	10.22
350 000 3405	14M	G1/4 male	14.18
350 000 3805	14M-F	G1/4 male, Mesh filter	14.42
350 010 3405	14M-EV	Efficiency valve, G1/4 male	14.38
350 000 3505	38M	G3/8 male	18.14
350 000 3905	38M-F	G3/8 male, Mesh filter	17.75
350 010 3505	38M-EV	Efficiency valve, G3/8 male	17.53