

Conveying pump

Features and Strengths

Single stage vacuum ejector integrated in pump body
High vacuum flow for transferring bulk materials, granules and powders, etc.

Advantages

Reliable and cost effective solution for product transfer
No maintenance due to non-clogging structure

Application





Recommended Lifting Force (Max.)

Model	Max. Vacuum level (- kPa)	Max. Feed Pressure (bar)	Max. Vacuum Flow (NI/m)	Air Consumption (NI/m)
VTRA250	85	7	283	113~340
VTRA375	85	7	849	175~820
VTRA500	70	7	1698	340~934
VTRA750	70	7	3396	651~1783
VTRF2-3	27	7	283	88~170
VTRF3-3	15.2	7	424	99~170
VTRF5-6	33.8	7	849	396~679
VTRF7-6	27	7	1698	792~1358
VTRF15-3	4.4	7	4670	396~769
VTRF15-6	8.5	7	5660	792~1358

VACUUM PUMPS / Conveying pumps – VTRA series

VTRA250

Features and Strengths

- Excellent in high contamination areas where dust and small debris
- High vacuum flow in conjunction with vacuum levels down



Specifications

Description	VTRA250
Max. Vacuum level	-85 kPa
Open Vacuum flow	283 NI/min
Max. Feed pressure	7 bar
Temperature	-20 ~ 120 °C
Weight	93 g

Vacuum Flow

Model	Max. vacuum (-kPa)	Feed Pressure (bar)	Vacuum flow (NI/min) at different vacuum levels (-kPa)				
			16.9	33.8	50.7	67.5	84.4
VTRA250	85	5.5	283	243	204	164	127

Air consumption

Model	Feed Pressure (bar)	Air consumption (NI/min) at different vacuum levels (-kPa)				
		16.9	33.8	50.7	67.5	84.4
VTRA250	5.5	113	170	235	275	340

VTRA375

Features and Strengths

- Excellent in high contamination areas where dust and small debris
- High vacuum flow in conjunction with vacuum levels down



Specifications

Description	VTRA375
Max. Vacuum level	-85 kPa
Open Vacuum flow	849 NI/min
Max. Feed pressure	7 bar
Temperature	-20 ~ 120 °C
Weight	265 g

Vacuum Flow

Model	Max. vacuum (-kPa)	Feed Pressure (bar)	Vacuum flow (NI/min) at different vacuum levels (-kPa)				
			16.9	33.8	50.7	67.5	84.4
VTRA375	85	5.5	849	736	623	524	396

Air consumption

Model	Feed Pressure (bar)	Air consumption (NI/min) at different vacuum levels (-kPa)				
		16.9	33.8	50.7	67.5	84.4
VTRA375	5.5	175	325	481	594	820

VTRA500

Features and Strengths

- Excellent in high contamination areas where dust and small debris
- High vacuum flow in conjunction with vacuum levels down



Specifications

Description	VTRA500
Max. Vacuum level	-70 kPa
Open Vacuum flow	1,698 NI/min
Max. Feed pressure	7 bar
Temperature	-20 ~ 120 °C
Weight	380 g

Vacuum Flow

Model	Max. vacuum (-kPa)	Feed Pressure (bar)	Vacuum flow (NI/min) at different vacuum levels (-kPa)				
			16.9	33.8	50.7	67.5	84.4
VTRA500	85	5.5	1698	1330	1132	991	651

Air consumption

Model	Feed Pressure (bar)	Air consumption (NI/min) at different vacuum levels (-kPa)				
		16.9	33.8	50.7	67.5	84.4
VTRA500	5.5	340	623	792	934	1274

VTRA750

Features and Strengths

- Excellent in high contamination areas where dust and small debris
- High vacuum flow in conjunction with vacuum levels down



Specifications

Description	VTRA750
Max. Vacuum level	-70 kPa
Open Vacuum flow	3,396 NI/min
Max. Feed pressure	7 bar
Temperature	-20 ~ 120 °C
Weight	527 g

Vacuum Flow

Model	Max. vacuum (-kPa)	Feed Pressure (bar)	Vacuum flow (NI/min) at different vacuum levels (-kPa)				
			16.9	33.8	50.7	67.5	84.4
VTRA750	85	5.5	3396	2462	1975	1443	1132

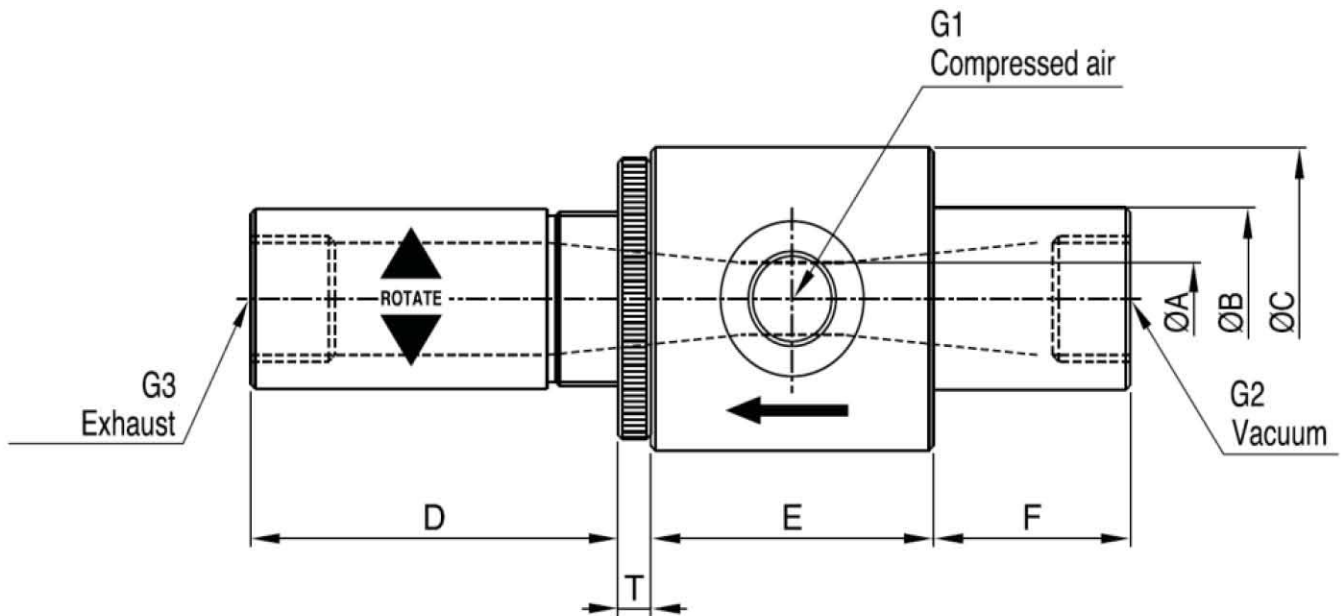
Air consumption

Model	Feed Pressure (bar)	Air consumption (NI/min) at different vacuum levels (-kPa)				
		16.9	33.8	50.7	67.5	84.4
VTRA750	5.5	651	872	1245	1783	2547

VACUUM PUMPS / Conveying pumps – VTRA series

I Dimensions – VTRA series

[Unit : mm]



Model	$\varnothing A$	$\varnothing B$	$\varnothing C$	D	E	F	T	G1	G2	G3
VTRA250	6.8	18.8	31.3	41.0	31.6	22.0	3.7	G1/8"	G1/4"	G1/4"
VTRA375	9.6	25.2	43.5	69.8	44.4	37.6	5.0	G3/8"	G1/2"	G1/2"
VTRA500	12.7	31.4	50.0	63.5	50.8	38.0	5.0	G3/8"	G1/2"	G3/4"
VTRA750	19.1	37.8	56.8	85.7	50.8	38.2	55.0	G1/2"	G3/4"	G1"

VACUUM PUMPS / Conveying pumps – VTRF series

VTRF2-3

Features and Strengths

- Reliable and cost effective solution for in line product transfer
- High vacuum flow in conjunction with vacuum levels down
- No need of maintenance due to straight through design



Specifications

Description	VTRF2-3
Max. Vacuum level	-27 kPa
Open Vacuum flow	283 NI/min
Max. Feed pressure	7 bar
Temperature	-20 ~ 120 °C
Weight	79 g

Performance data

Model	Max. vacuum (-kPa)	Air velocity (ft/sec)	Air consumption (NI/m)	
			2.8bar	5.5bar
VTRF2-3	27	490	88	170

VTRF3-3

Features and Strengths

- Reliable and cost effective solution for in line product transfer
- High vacuum flow in conjunction with vacuum levels down
- No need of maintenance due to straight through design



Specifications

Description	VTRF3-3
Max. Vacuum level	-15.2 kPa
Open Vacuum flow	424 NI/min
Max. Feed pressure	7 bar
Temperature	-20 ~ 120 °C
Weight	72 g

Performance data

Model	Max. vacuum (-kPa)	Air velocity (ft/sec)	Air consumption (NI/m)	
			2.8bar	5.5bar
VTRF3-3	15.2	328	99	170

VACUUM PUMPS / Conveying pumps – VTRF series

VTRF5-6

Features and Strengths

- Reliable and cost effective solution for in line product transfer
- High vacuum flow in conjunction with vacuum levels down
- No need of maintenance due to straight through design



Specifications

Description	VTRF5-6
Max. Vacuum level	-33.8 kPa
Open Vacuum flow	849 NI/min
Max. Feed pressure	7 bar
Temperature	-20 ~ 120 °C
Weight	154 g

Performance data

Model	Max. vacuum (-kPa)	Air velocity (ft/sec)	Air consumption (NI/m)	
			2.8bar	5.5bar
VTRF5-6	33.8	362	396	679

VTRF7-6

Features and Strengths

- Reliable and cost effective solution for in line product transfer
- High vacuum flow in conjunction with vacuum levels down
- No need of maintenance due to straight through design



Specifications

Description	VTRF7-6
Max. Vacuum level	-27 kPa
Open Vacuum flow	1,698 NI/min
Max. Feed pressure	7 bar
Temperature	-20 ~ 120 °C
Weight	373 g

Performance data

Model	Max. vacuum (-kPa)	Air velocity (ft/sec)	Air consumption (NI/m)	
			2.8bar	5.5bar
VTRF7-6	27.0	326	792	1,358

VTRF15-3

Features and Strengths

- Reliable and cost effective solution for in line product transfer
- High vacuum flow in conjunction with vacuum levels down
- No need of maintenance due to straight through design



Specifications

Description	VTRF15-3
Max. Vacuum level	-4.4 kPa
Open Vacuum flow	4,670 NI/min
Max. Feed pressure	7 bar
Temperature	-20 ~ 120 °C
Weight	589 g

Performance data

Model	Max. vacuum (-kPa)	Air velocity (ft/sec)	Air consumption (NI/m)	
			2.8bar	5.5bar
VTRF15-3	4.4	224	396	679

VTRF15-6

Features and Strengths

- Reliable and cost effective solution for in line product transfer
- High vacuum flow in conjunction with vacuum levels down
- No need of maintenance due to straight through design



Specifications

Description	VTRF15-6
Max. Vacuum level	-8.5 kPa
Open Vacuum flow	5,660 NI/min
Max. Feed pressure	7 bar
Temperature	-20 ~ 120 °C
Weight	591 g

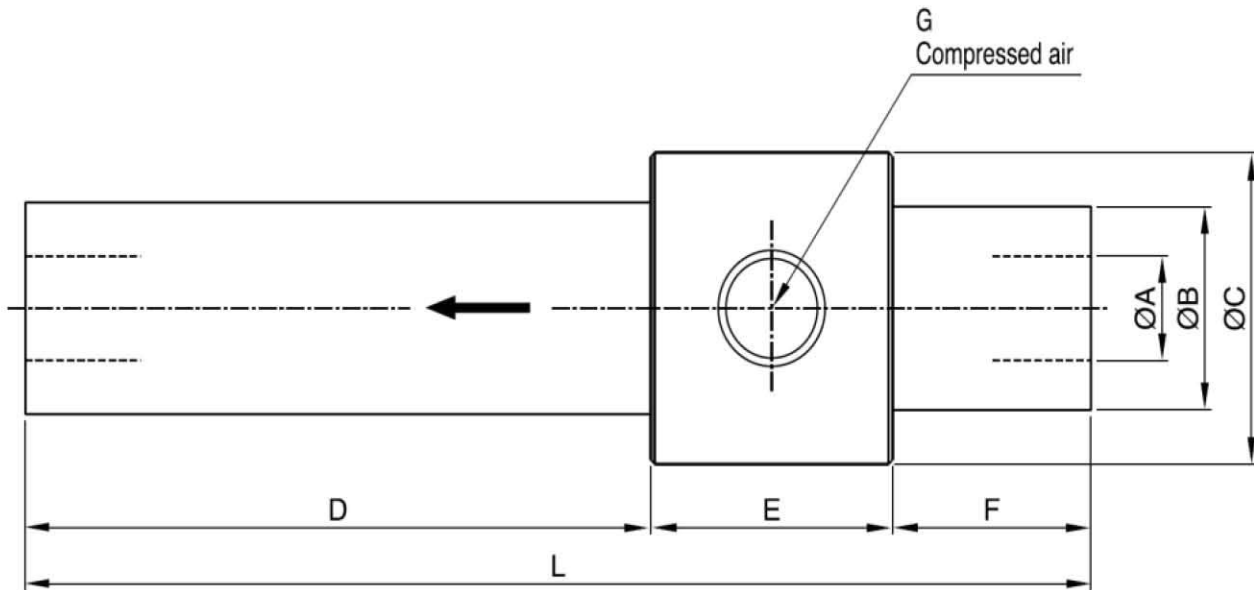
Performance data

Model	Max. vacuum (-kPa)	Air velocity (ft/sec)	Air consumption (NI/m)	
			2.8bar	5.5bar
VTRF15-6	8.5	272	792	1,358

VACUUM PUMPS / Conveying pumps – VTRF series

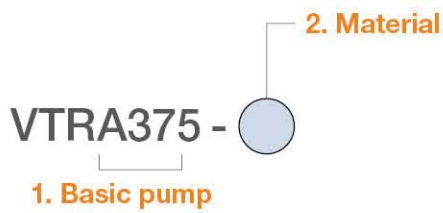
I Dimensions – VTRF series

[Unit : mm]



Model	ØA	ØB	ØC	D	E	F	L	G
VTRF2-3	6.4	18.4	31.5	45.0	24.9	19.0	88.9	G1/8"
VTRF3-3	9.5	18.8	31.3	45.3	25.5	18.2	89.0	G1/8"
VTRF5-6	12.6	24.5	37.6	82.0	31.7	26.0	139.7	G1/4"
VTRF7-6	19.0	31.8	50.0	101.8	50.6	38.0	190.4	G3/8"
VTRF15-3	38.2	49.6	69.0	101.4	50.8	38.2	190.4	G3/8"
VTRF15-6	38.2	49.6	69.0	101.4	50.8	38.2	190.4	G3/8"

I Build an Ordering No.



1. Basic pump	Description	Symbol
	Conveying pump - VTRA series, Adjustable, G1/4" vacuum port, G1/4" exhaust port	VTRA250
	Conveying pump - VTRA series, Adjustable, G1/2" vacuum port, G1/2" exhaust port	VTRA375
	Conveying pump - VTRA series, Adjustable, G1/2" vacuum port, G3/4" exhaust port	VTRA500
	Conveying pump - VTRA series, Adjustable, G3/4" vacuum port, G1" exhaust port	VTRA750
	Conveying Pump - VTRF Series, 0.25" inlet dia., G1/8" air supply	VTRF2-3
	Conveying Pump - VTRF Series, 0.37" inlet dia., G1/8" air supply	VTRF3-3
	Conveying Pump - VTRF Series, 0.50" inlet dia., G1/4" air supply	VTRF5-6
	Conveying Pump - VTRF Series, 0.75" inlet dia., G3/8" air supply	VTRF7-6
	Conveying Pump - VTRF Series, 1.50" inlet dia., G3/8" air supply	VTRF15-3
	Conveying Pump- VTRF Series, 1.50" inlet dia., G3/8" air supply	VTRF15-6
2. Material	Description	Symbol
	Aluminum	AL
	Stainless	SS