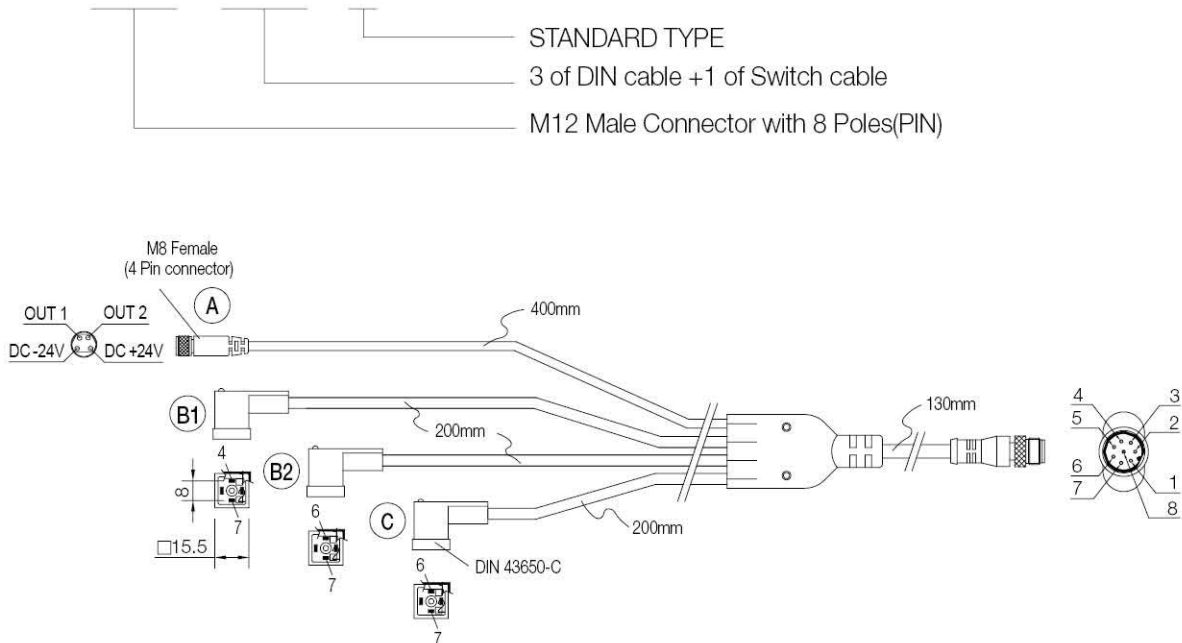


BUS CABLE & CONNECTION CABLE

BC M12 – 4DS – 1

Bus Cables for '4 in 1' – Vacuum ON + Vacuum OFF + Vacuum Release ON/OFF + Vacuum Switch

BC M12 - 4DS - 1



Specifications

Model	DIN 43650-C
Contact type	Screw with conductor protection
Contact spacing	8mm
Number of poles	2
Cable material	PVC H03VVF
Max. conductor section	0.75mm ²
Protection class	IP 65 assembled
Fixing screw	M2.5 x 28.5
Profile gasket	NBR

Build an Ordering No.

BC M12 – 4DS – 1

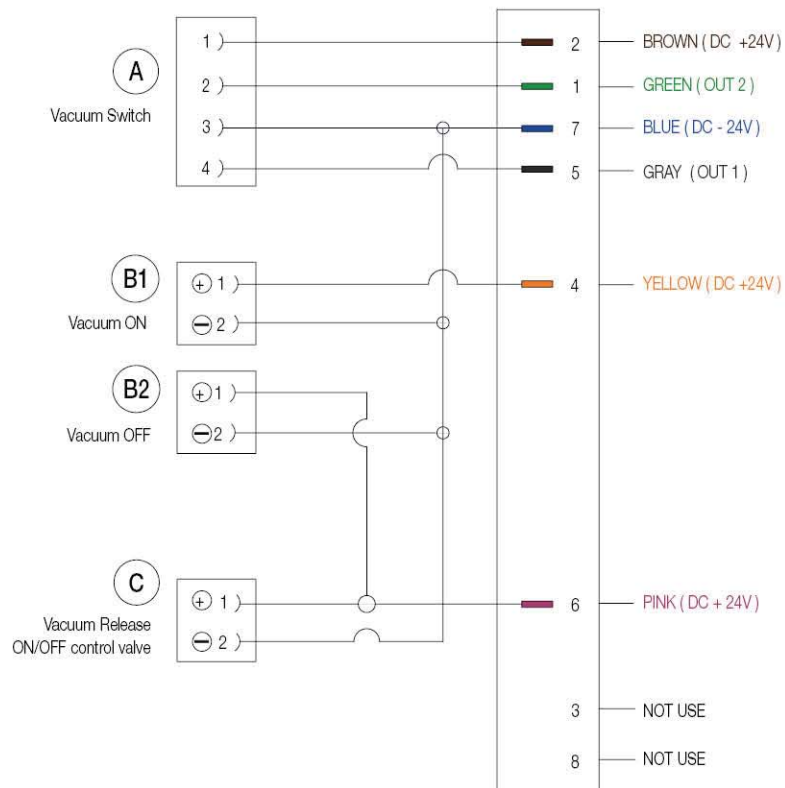
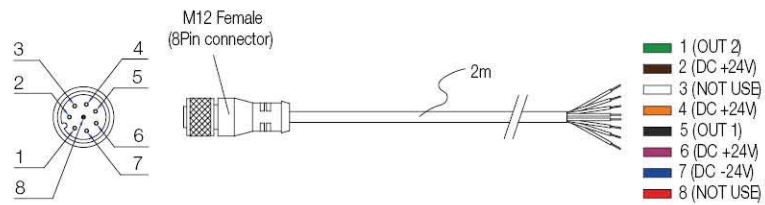
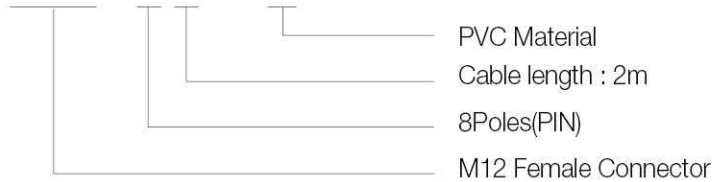
1. Bus cables for 4 in 1

1. Bus cable	Description	Ordering No.
	Bus cables, M12 Male connector with 8 Poles, 2 of DIN cables + M8 switch cable, Splitter with M12 male 8poles - 2off	BC M12-4DS-1
	- Available only with DC24V and Connector type	

Connection cables

1. Bus cable	Description	Ordering No.
	Connection cables for BC M12, M12 female connector with 8poles, Cable length 2m, PVC material	VC M12-8-2-PVC

VC M12 - 8 2 - PVC

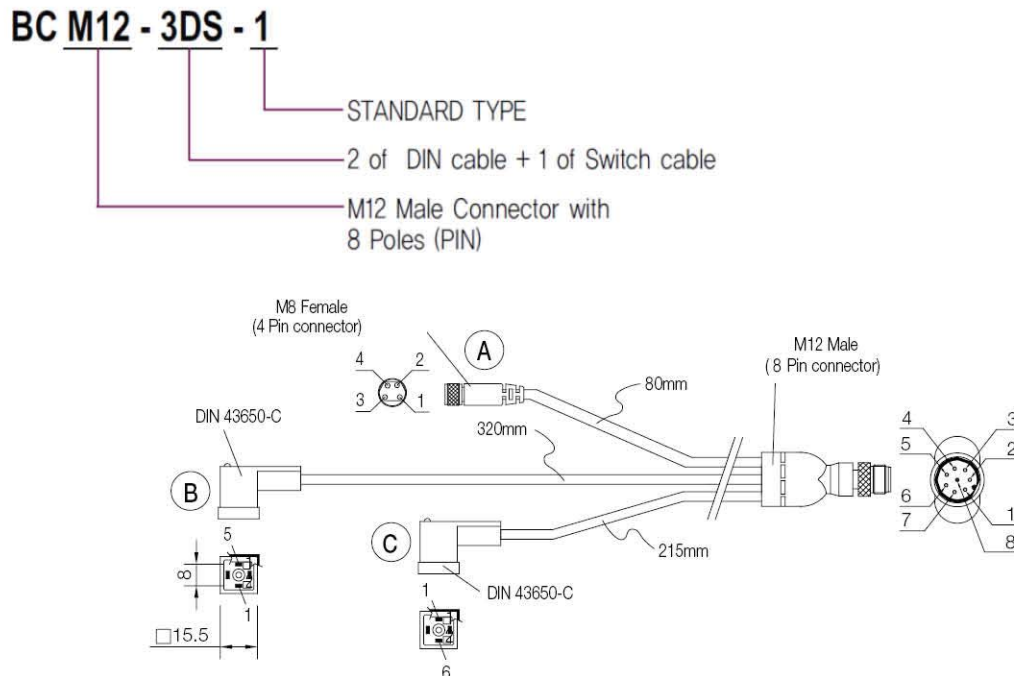


[Connection diagram]

BUS CABLE & CONNECTION CABLE

BC M12 – 3DS – 1

Bus Cables for '3 in 1' – Vacuum ON/OFF + Vacuum Release ON/OFF + Vacuum Switch



Specifications

Model	DIN 43650-C
Contact type	Screw with conductor protection
Contact spacing	8mm
Number of poles	2
Cable material	PVC H03VVF
Max. conductor section	0.75mm ²
Protection class	IP 65 assembled
Fixing screw	M2.5 x 28.5
Profile gasket	NBR

Build an Ordering No.

BC M12 – 3DS – 1

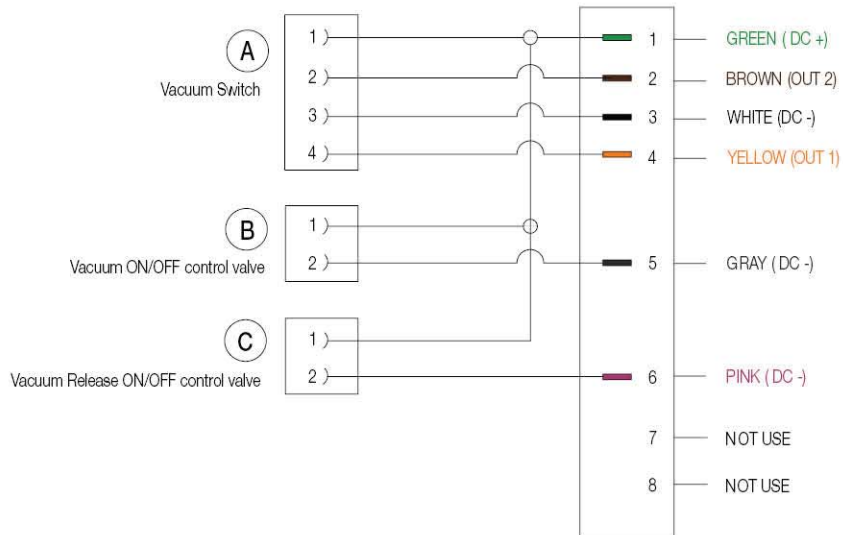
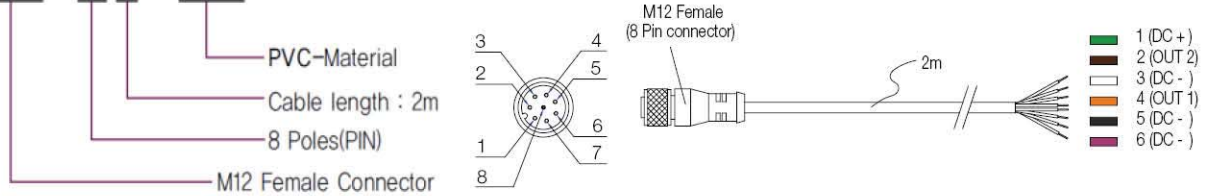
1. Bus cables for 3 in 1

1. Bus cable	Description	Ordering No.
	Bus cables, M12 Male connector with 8 Poles, 2 of DIN cables + M8 switch cable, Splitter with M12 male 8poles - 2off	BC M12-3DS-1
	- Available only with DC24V and Connector type	

Connection cables

1. Bus cable	Description	Ordering No.
	Connection cables for BC M12, M12 female connector with 8poles, Cable length 2m, PVC material	VC M12-8-2-PVC

VC M12 - 8 2 - PVC

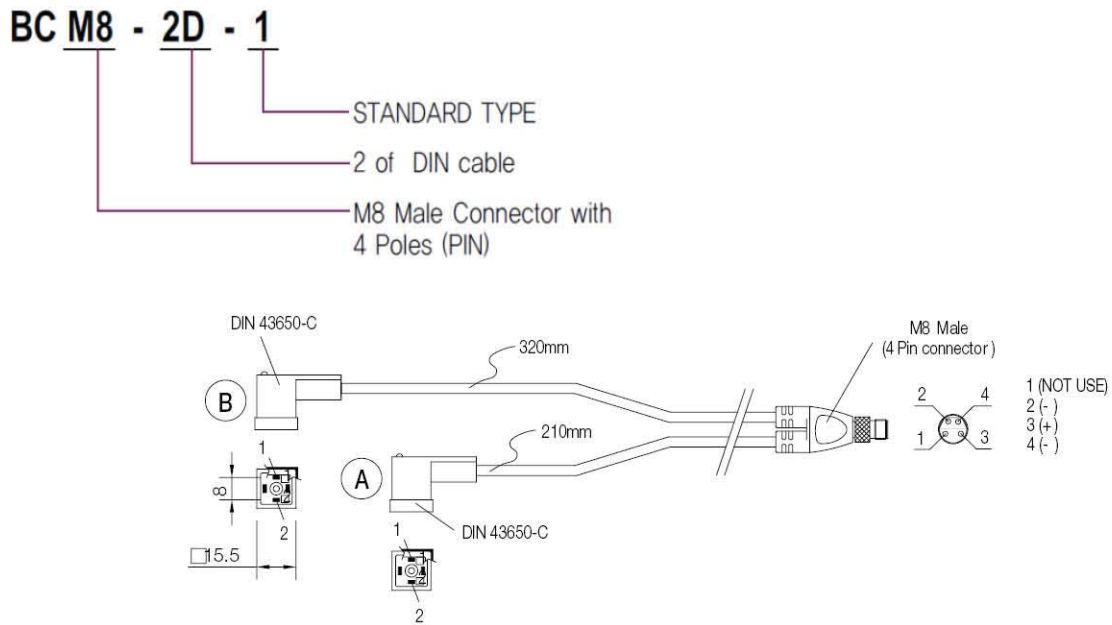


[Connection diagram]

BUS CABLE & CONNECTION CABLE

BC M8 – 2D – 1

Bus Cables for '2 in 1' – Vacuum ON/OFF + Vacuum Release ON/OFF



Specifications

Model	DIN 43650-C
Contact type	Screw with conductor protection
Contact spacing	8mm
Number of poles	2
Cable material	PVC H03VVF
Max. conductor section	0.75mm ²
Protection class	IP 65 assembled
Fixing screw	M2.5 x 28.5
Profile gasket	NBR

Build an Ordering No.

BC M8 – 2D – 1

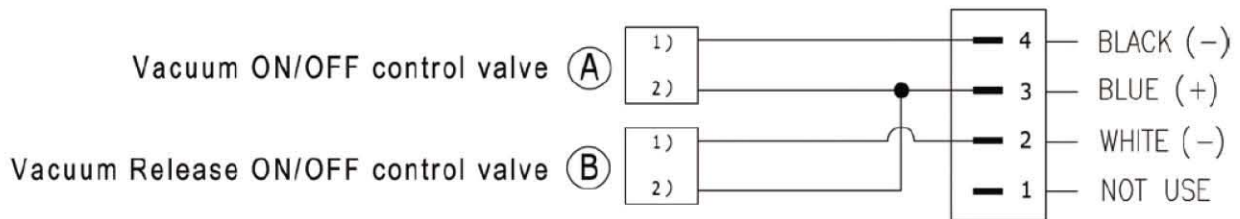
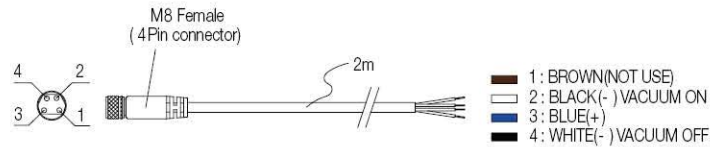
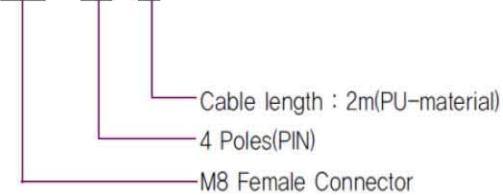
1. Bus cables for 2 in 1

1. Bus cable	Description	Ordering No.
	Bus cables, M8 male connector with 4 Poles, 2 of DIN cables - 2off	BC M8-2D-1
	- Available with VCM8-4-2	

Connection cables

1. Bus cable	Description	Ordering No.
	Connection cables for BC M8, M8 female connector (4poles), Cable length 2m, PU material	VCM8-4-2
	Connection cables for BC M8, M8 female connector (3poles), Cable length 2m, PU material	VCM8-3-2

VC M8 - 4 - 2



[Connection diagram]