

MANIFOLDS

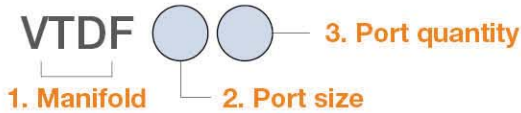
VTDF series (Ports on top only)

Features and Strengths

Multiple connection with common large BSP connections
Available for a number of configurations to suit most applications



Build an Ordering No.



Build an Ordering No.

1. Manifold	Description	Ordering No.	
	Manifold, Manifold ports on top	VTDF	
2. Port size	Description	Max. No. of manifold port	Ordering No.
	G3/8" vacuum port, G1/8" manifold port	60	38-18x
	G1/2" vacuum port, G1/8" manifold port	60	12-18x
	G1/2" vacuum port, G1/4" manifold port	50	12-14x
	G3/4" vacuum port, G1/8" manifold port	60	34-18x
	G3/4" vacuum port, G1/4" manifold port	50	34-14x
	G3/4" vacuum port, G3/8" manifold port	45	34-38x
3. Port quantity	Description	Ordering No.	
	The number of manifold port	Number*	

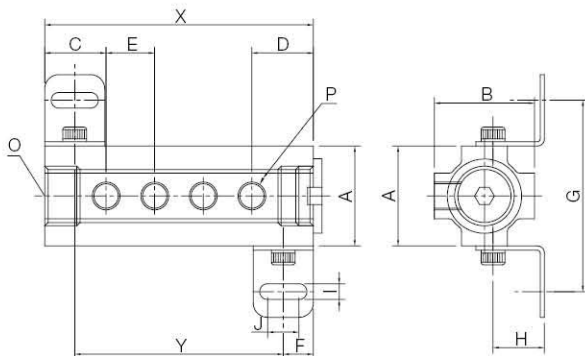
※ The number means manifold port quantity in described as maximum manifold port quantity.

Dimensions

[Unit : mm]

Model*	O	P	A	B	C	D	E	F	G	H	I	J	X	Y
VTDF38-18Xn	G3/8"	G1/8"	35	35	21.5	21.5	17	10.5	67	18	5.5	10	(n X17)+26	X-21
VTDF12-18Xn	G1/2"	G1/8"	35	35	21.5	21.5	17	10.5	67	18	5.5	10	(n X17)+26	X-21
VTDF12-14Xn	G1/2"	G1/4"	35	35	19	19	22	10.5	67	18	5.5	10	(n X22)+16	X-21
VTDF34-18Xn	G3/4"	G1/8"	45	45	26.5	26.5	17	10.5	80	25	5.5	10	(n X17)+36	X-21
VTDF34-14Xn	G3/4"	G1/4"	45	45	29	29	22	10.5	80	25	5.5	10	(n X22)+36	X-21
VTDF34-38Xn	G3/4"	G3/8"	45	45	27.5	27.5	25	10.5	80	25	5.5	10	(n X25)+30	X-21

※ The last letter of model number on "Model" section means the number of manifold port quantity.



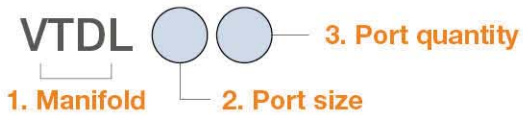
VTDL series (Ports on top and one side)

Features and Strengths

Multiple connection with common large BSP connections
Available for a number of configurations to suit most applications



Build an Ordering No.



Build an Ordering No.

1. Manifold	Description	Ordering No.	
	Manifold, Manifold ports on top and one side	VTDL	
2. Port size	Description	Max. No. of manifold port	Ordering No.
	G3/8" vacuum port, G1/8" manifold port	120	38-18x
	G1/2" vacuum port, G1/8" manifold port	120	12-18x
	G1/2" vacuum port, G1/4" manifold port	100	12-14x
	G3/4" vacuum port, G1/8" manifold port	120	34-18x
	G3/4" vacuum port, G1/4" manifold port	100	34-14x
	G3/4" vacuum port, G3/8" manifold port	90	34-38x
3. Port quantity	Description	Ordering No.	
	The number of manifold port	Number*	

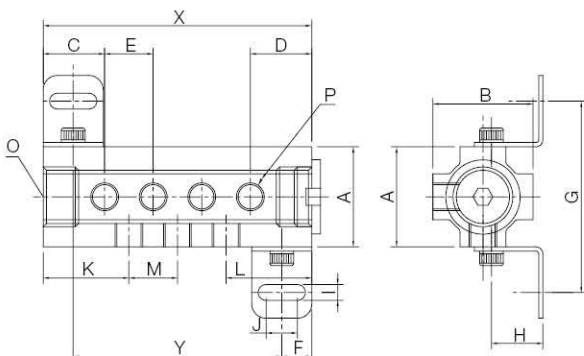
※ The number means manifold port quantity in described as maximum manifold port quantity.

Dimensions

[Unit : mm]

Model*	O	P	A	B	C	D	E	F	G	H	I	J	K	L	M	X	Y
VTDL38-18Xn	G3/8"	G1/8"	35	35	21.5	21.5	17	10.5	67	18	5.5	10	30	30	17	* Please contact us for specific dimension.	
VTDL12-18Xn	G1/2"	G1/8"	35	35	21.5	21.5	17	10.5	67	18	5.5	10	30	30	17		
VTDL12-14Xn	G1/2"	G1/4"	35	35	19	19	22	10.5	67	18	5.5	10	30	30	22		
VTDL34-18Xn	G3/4"	G1/8"	45	45	26.5	26.5	17	10.5	80	25	5.5	10	35	35	17		
VTDL34-14Xn	G3/4"	G1/4"	45	45	29	29	22	10.5	80	25	5.5	10	40	40	22		
VTDL34-38Xn	G3/4"	G3/8"	45	45	27.5	27.5	25	10.5	80	25	5.5	10	40	40	25		

※ The last letter of model number on "Model" section means the number of manifold port quantity.



MANIFOLDS

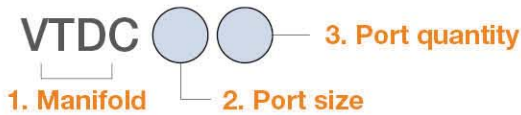
VTDC series (Ports on both sides)

Features and Strengths

Multiple connection with common large BSP connections
Available for a number of configurations to suit most applications



Build an Ordering No.



Build an Ordering No.

1. Manifold	Description	Ordering No.	
	Manifold, Manifold ports on both sides	VTDC	
2. Port size	Description	Max. No. of manifold port	Ordering No.
	G3/8" vacuum port, G1/8" manifold port	120	38-18X
	G1/2" vacuum port, G1/8" manifold port	120	12-18X
	G1/2" vacuum port, G1/4" manifold port	100	12-14X
	G3/4" vacuum port, G1/8" manifold port	120	34-18X
	G3/4" vacuum port, G1/4" manifold port	100	34-14X
	G3/4" vacuum port, G3/8" manifold port	90	34-38X
3. Port quantity	Description	Ordering No.	
	The number of manifold port	Number*	

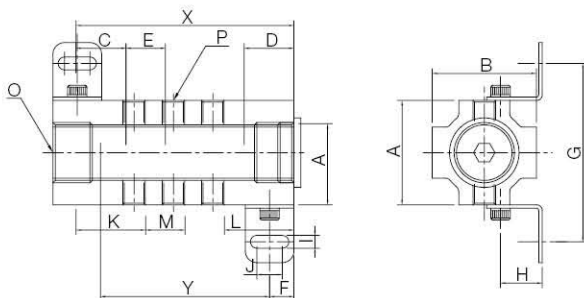
※ The number means manifold port quantity in described as maximum manifold port quantity.

Dimensions

[Unit : mm]

Model*	O	P	A	B	F	G	H	I	J	K	L	M	X	Y
VTDC38-18Xn	G3/8"	G1/8"	35	35	10.5	67	18	5.5	10	30	30	17	(n X17)+43	X-21
VTDC12-18Xn	G1/2"	G1/8"	35	35	10.5	67	18	5.5	10	30	30	17	(n X17)+43	X-21
VTDC12-14Xn	G1/2"	G1/4"	35	35	10.5	67	18	5.5	10	30	30	22	(n X22)+38	X-21
VTDC34-18Xn	G3/4"	G1/8"	45	45	10.5	80	25	5.5	10	35	35	17	(n X17)+53	X-21
VTDC34-14Xn	G3/4"	G1/4"	45	45	10.5	80	25	5.5	10	40	40	22	(n X22)+58	X-21
VTDC34-38Xn	G3/4"	G3/8"	45	45	10.5	80	25	5.5	10	40	40	25	(n X25)+55	X-21

※ The last letter of model number on "Model" section means the number of manifold port quantity.



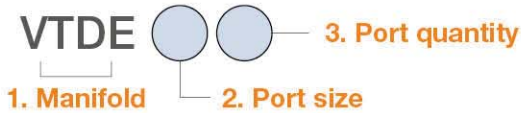
VTDE series (Ports on top and both sides)

Features and Strengths

Multiple connection with common large BSP connections
Available for a number of configurations to suit most applications



Build an Ordering No.



Build an Ordering No.

1. Manifold	Description	Ordering No.	
	Manifold, Manifold ports on top & both sides	VTDE	
2. Port size	Description	Max. No. of manifold port	Ordering No.
	G3/8" vacuum port, G1/8" manifold port	180	38-18X
	G1/2" vacuum port, G1/8" manifold port	180	12-18X
	G1/2" vacuum port, G1/4" manifold port	150	12-14X
	G3/4" vacuum port, G1/8" manifold port	180	34-18X
	G3/4" vacuum port, G1/4" manifold port	150	34-14X
	G3/4" vacuum port, G3/8" manifold port	130	34-38X
3. Port quantity	Description	Ordering No.	
	The number of manifold port	Number*	

※ The number means manifold port quantity in described as maximum manifold port quantity.

Dimensions

[Unit : mm]

Model*	O	P	A	B	C	D	E	F	G	H	I	J	K	L	M	X	Y
VTDE38-18Xn	G3/8"	G1/8"	35	35	21.5	21.5	17	10.5	67	18	5.5	10	30	30	17	* Please contact us for specific dimension.	
VTDE12-18Xn	G1/2"	G1/8"	35	35	21.5	21.5	17	10.5	67	18	5.5	10	30	30	17		
VTDE12-14Xn	G1/2"	G1/4"	35	35	19	19	22	10.5	67	18	5.5	10	30	30	22		
VTDE34-18Xn	G3/4"	G1/8"	45	45	26.5	26.5	17	10.5	80	25	5.5	10	35	35	17		
VTDE34-14Xn	G3/4"	G1/4"	45	45	29	29	22	10.5	80	25	5.5	10	40	40	22		
VTDE34-38Xn	G3/4"	G3/8"	45	45	27.5	27.5	25	10.5	80	25	5.5	10	40	40	25		

※ The last letter of model number on "Model" section means the number of manifold port quantity.

